

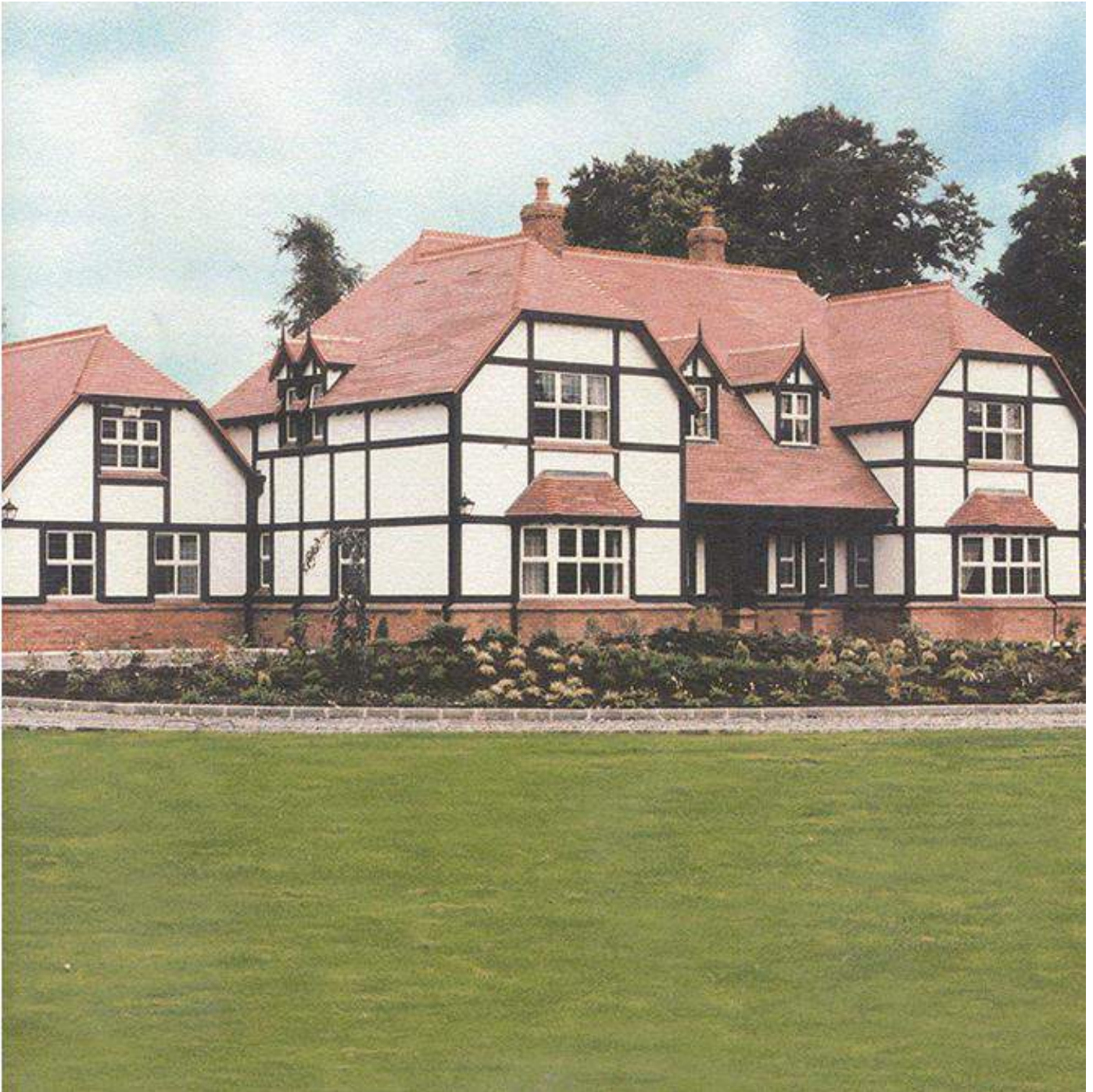


Condron Concrete Works

CONDRON CONCRETE WORKS IS A TRADENAME FOR CONDRON CONCRETE LTD.

ARDEN ROAD, TULLAMORE, CO. OFFALY, IRELAND.

Condron Concrete Tile Brochure



To “Top-Off” your investment!



Condron Concrete Works

CONDRON CONCRETE WORKS IS A TRADENAME FOR CONDRON CONCRETE LTD.

ARDEN ROAD, TULLAMORE, CO. OFFALY, IRELAND.

Contents Page

Contents Page	2
Condron Concrete Pantile.....	4
Technical Data for Concrete Pantile	5
Condron Concrete Slate Tile.....	6
Technical Data for Concrete Slate Tile	7
Condron Concrete “Bullnose” Slate Tile.....	8
Technical Data for Concrete “Bullnose” Slate Tile	9
Condron Concrete 3 in 1 Tile/Cladding Tile	10
Technical Data for Concrete 3 in 1 Tile/Cladding Tile	11
Condron Concrete Plain Tile/Cladding Tile	12
Technical Data for Concrete Plain Tile/Cladding Tile.....	13
Condron Concrete “M Profile” Tile	14
Technical Data for Concrete “M Profile” Tile	15
Condron Concrete Slate	16
Technical Data for Concrete Slate	23
Condron Concrete Senior Slate Tile	24
Technical Data for Concrete Senior Slate Tile	25
Accessories & Technical Specifications.....	26
Accessories & Technical Specifications.....	27
Accessories & Technical Specifications.....	28
Fixing	29
Fixing	30
Accessories	31
Technical Drawings.....	32
Fixing Accessories.....	45
Ventilation – LV75 Vent Tile – Pantile.....	46
Accessories	46
Ventilation – INV100 Inline Vent – 3 in 1 Tile.....	47
Accessories	47
Ventilation – IV100 Inline Vent – Plain Tile	48
Accessories	48
Ventilation – IV100 Inline Vent - Pantile.....	49
Design.....	49
Accessories	49
Sanitary Vent LV200 - Pantile.....	50
Accessories	50
Solar Tube Tile - TT- Plain Tile	50
Dry-Fix Ridge System Fitting Instructions	50
Dry-Fix Ridge System Fitting Instructions	50
Dry Ventilated Ridge System Fitting Instructions	50
Dry Ventilated Ridge System Fitting Instructions	50
Dry Verge System.....	50
Dry Verge System –Fitting Instructions.....	50
Dry Verge System – Klóber Uni-Click	50



Condron Concrete Works

CONDRON CONCRETE WORKS IS A TRADENAME FOR CONDRON CONCRETE LTD.

ARDEN ROAD, TULLAMORE, CO. OFFALY, IRELAND.

Dry Verge System – Klóber Uni-Click	50
Dry Verge - Klóber Uni-Click Fitting Instructions	50
Dry Verge - Klóber Uni-Click Fitting Instructions	50
Dry Verge - Klóber Uni-Click Fitting Instructions	50
Dry Valley System.....	50
Dry Valley System.....	50
Dry Valley System –Fitting Instructions.....	50
Hip Clip	50
Site Practice.....	50
Site Practice.....	50
Site Practice.....	50
Site Practice.....	50



Condron Concrete Works

CONDON CONCRETE WORKS IS A TRADENAME FOR CONDRON CONCRETE LTD.
ARDEN ROAD, TULLAMORE, CO. OFFALY, IRELAND.

Condron Concrete Pantile



NOTE: Reference should be made to ICP2.2002 for Slating and Tiling and any new Irish code of practices in the future. Condron Concrete Roof Tiles comply with I.S.3: 1972 "Concrete Roofing Tiles" & EN490.



Condron Concrete Works

CONDRON CONCRETE WORKS IS A TRADENAME FOR CONDRON CONCRETE LTD.

ARDEN ROAD, TULLAMORE, CO. OFFALY, IRELAND.

Technical Data for Concrete Pantile

Size	420mm X 330mm
Pitch	22 1/2° minimum
Headlap 30 Degree and above	75mm
Headlap BELOW 30 Degrees	100mm
Gauge maximum	345mm
Covering Capacity (at 345mm gauge net)	9.75 tiles per m2
Surface	Smooth
Weight (approx) per 1,000 tiles	4.5 tonnes
Batten size for rafters not exceeding 450mm c/c	44mm X 35mm
Batten size for rafters not exceeding 600mm c/c	44mm X 35mm

COLOURS AVAILABLE:

Black, Grey, Brown, New Brown, Red, Marigold, Terracotta, Brown Streaky, Red Streaky, Marigold Streaky and Terracotta Streaky.

ACCESSORIES AVAILABLE:

Half Tile	Half Tile.
Eave	Standard Tile.
End Ridge	Half Round Ridge, Universal Angle Ridge and High Pitch Angle Ridge.
Hip	Half Round Ridge, Universal Angle Ridge and High Pitch Angle Ridge.
Verge	Half Cloak Verge Tile Left and Right.
Nails	75mm X 9g A/Alloy.
Bedding	Coloured Pigments as required.



NOTE: Reference should be made to ICP2.2002 for Slating and Tiling and any new Irish code of practices in the future. Condron Concrete Roof Tiles comply with I.S.3: 1972 "Concrete Roofing Tiles" & EN490.

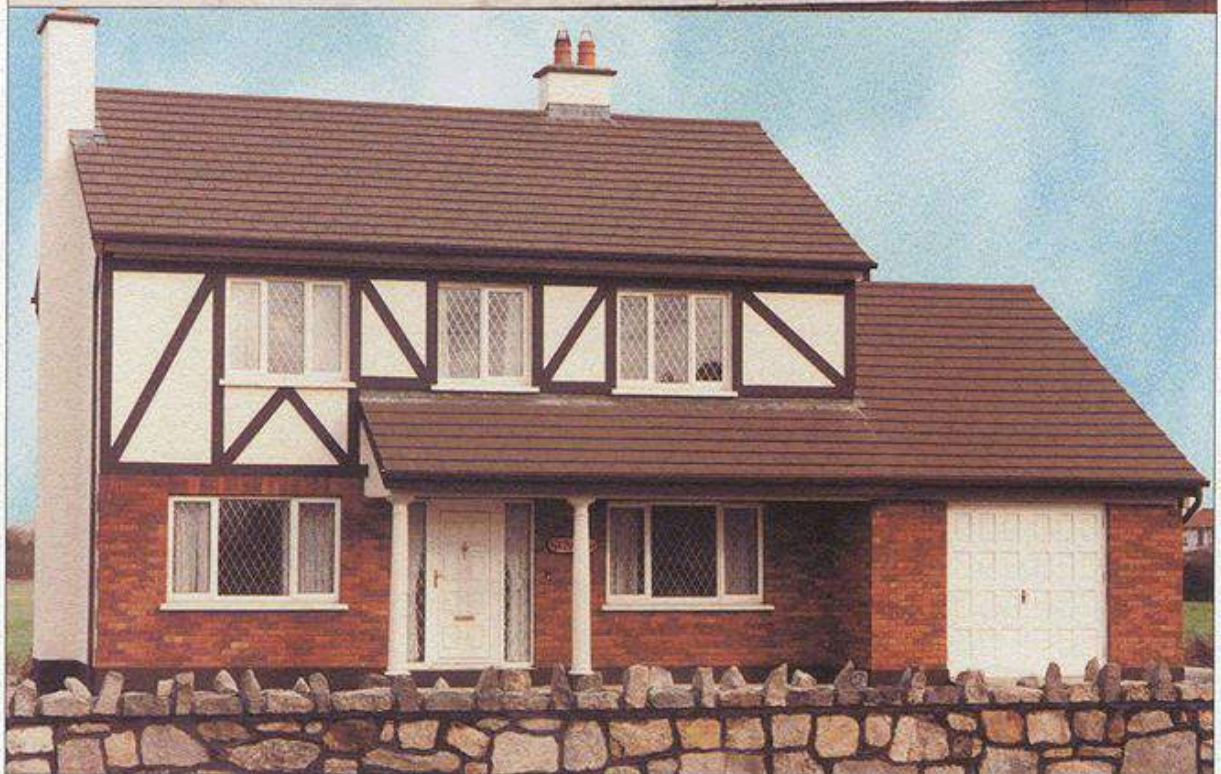


Condron Concrete Works

CONDRON CONCRETE WORKS IS A TRADENAME FOR CONDRON CONCRETE LTD.

ARDEN ROAD, TULLAMORE, CO. OFFALY, IRELAND.

Condron Concrete Slate Tile



NOTE: Reference should be made to ICP2.2002 for Slating and Tiling and any new Irish code of practices in the future. Condron Concrete Roof Tiles comply with I.S.3: 1972 "Concrete Roofing Tiles" & EN490.
Size 420mm X 330mm



Condron Concrete Works

CONDON CONCRETE WORKS IS A TRADENAME FOR CONDRON CONCRETE LTD.

ARDEN ROAD, TULLAMORE, CO. OFFALY, IRELAND.

Technical Data for Concrete Slate Tile

Pitch	22 1/2° minimum
Headlap	100mm
Gauge maximum	320mm
Covering Capacity at 320mm Gauge	10.5 Tiles per m ²
Surface	Smooth
Weight (approx) per 1,000 tiles	5 tonnes
Batten size for rafters not exceeding 450mm c/c	44mm X 35mm
Batten size for rafters not exceeding 600mm c/c	44mm X 35mm

COLOURS AVAILABLE:

Black, Grey, Brown, New Brown, Red, Marigold, Terracotta, Brown Streaky, Red Streaky, Marigold Streaky and Terracotta Streaky.

ACCESSORIES AVAILABLE:

Eave	Standard Tile.
Ridge	Universal Angle Ridge and High Pitch Angle Ridge.
End Ridge	Universal Angle Ridge and High Pitch Angle Ridge.
Hip	Universal Angle Ridge and High Pitch Angle Ridge.
Verge	Full Tile, Half Tile, and Half Cloak Verge Tile Left and Right.
Nails	50mm X 9g A/Alloy.
Bedding	Coloured Pigments as required.



NOTE: Reference should be made to ICP2.2002 for Slating and Tiling and any new Irish code of practices in the future. Condron Concrete Roof Tiles comply with I.S.3: 1972 "Concrete Roofing Tiles" & EN490.



Condron Concrete Works

CONDRON CONCRETE WORKS IS A TRADENAME FOR CONDRON CONCRETE LTD.
ARDEN ROAD, TULLAMORE, CO. OFFALY, IRELAND.

Condron Concrete "Bullnose" Slate Tile



NOTE: Reference should be made to ICP2.2002 for Slating and Tiling and any new Irish code of practices in the future. Condron Concrete Roof Tiles comply with I.S.3: 1972 "Concrete Roofing Tiles" & EN490.



Condron Concrete Works

CONDRON CONCRETE WORKS IS A TRADENAME FOR CONDRON CONCRETE LTD.

ARDEN ROAD, TULLAMORE, CO. OFFALY, IRELAND.

Technical Data for Concrete “Bullnose” Slate Tile

Size	420mm X 330mm
Pitch	22 1/2° minimum
Headlap	100mm
Gauge maximum	320mm
Covering Capacity at 320mm Gauge 1	10.5 Tiles per m ²
Surface	Smooth
Weight (approx) per 1,000 tiles	5 tonnes
Batten size for rafters not exceeding 450mm c/c	44mm X 35mm
Batten size for rafters not exceeding 600mm c/c	44mm X 35mm

COLOURS AVAILABLE:

Black, Grey, Brown, New Brown, Red, Marigold, Terracotta, Brown Streaky, Red Streaky, Marigold Streaky and Terracotta Streaky.

ACCESSORIES AVAILABLE:

Eave	Standard Tile.
Ridge	Universal Angle Ridge and High Pitch Angle Ridge.
Hip	Universal Angle Ridge and High Pitch Angle Ridge.
Verge	Full Tile, Half Tile, and Half Cloak Verge Tile Left and Right.
Nails	50mm X 9g A/Alloy.
Bedding	Coloured Pigments as required.



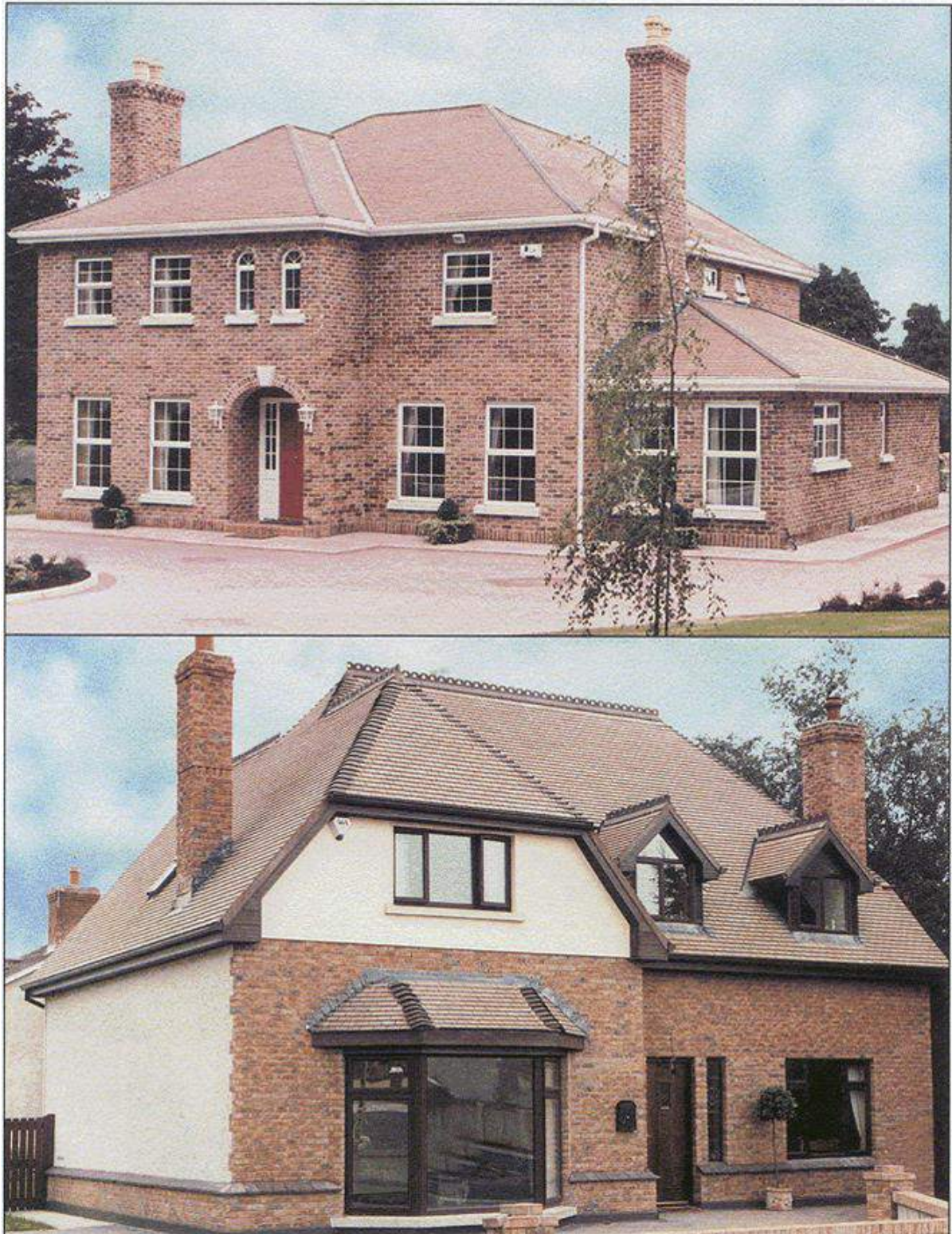
NOTE: Reference should be made to ICP2.2002 for Slating and Tiling and any new Irish code of practices in the future. Condron Concrete Roof Tiles comply with I.S.3: 1972 “Concrete Roofing Tiles” & EN490.



Condron Concrete Works

CONDRON CONCRETE WORKS IS A TRADENAME FOR CONDRON CONCRETE LTD.
ARDEN ROAD, TULLAMORE, CO. OFFALY, IRELAND.

Condron Concrete 3 in 1 Tile/Cladding Tile



NOTE: Reference should be made to ICP2.2002 for Slating and Tiling and any new Irish code of practices in the future. Condron Concrete Roof Tiles comply with I.S.3: 1972 "Concrete Roofing Tiles" & EN490.



Condron Concrete Works

CONDRON CONCRETE WORKS IS A TRADENAME FOR CONDRON CONCRETE LTD.

ARDEN ROAD, TULLAMORE, CO. OFFALY, IRELAND.

Technical Data for Concrete 3 in 1 Tile/Cladding Tile

Size	265mm X 500mm
Pitch	30° minimum
Gauge maximum	100mm
Cover Width	500mm
Cover Capacity	100mm Gauge - 20 Tiles per m ² 95mm Gauge - 22 Tiles per m ² 90mm Gauge - 24 Tiles per m ²
Surface	Smooth
Weight (approx) per 1,000 tiles	3.75 tonnes
Batten size for rafters not exceeding 450mm c/c	44mm X 35mm
Batten size for rafters not exceeding 600mm c/c	44mm X 35mm

COLOURS AVAILABLE:

Black, Grey, Brown, New Brown, Marigold, Terracotta, Brown Streaky, Red Streaky, Marigold Streaky, Terracotta Streaky and New Brown Streaky.

ACCESSORIES AVAILABLE:

Eave	Use Double Course at the Eave with 200mm. Eave/Top Tiles for the
Undercourse.	
Verge	Full Tile & Tile and a Half in alternate courses.
Top Course	Single Course with 200mm Eave/Top Tile.
Hip	Bonnet Hip Tiles.
Ridge	Universal Angle Ridge and High Pitch Angle Ridge.
Valley	Valley Tile.
Angles	External 90°.
Ornamental	Feature Tile.
Nails	40mm X 9 g A/Alloy.
Bedding	Coloured Pigments as required.



NOTE: Reference should be made to ICP2.2002 for Slating and Tiling and any new Irish code of practices in the future. Condron Concrete Roof Tiles comply with I.S.3: 1972 "Concrete Roofing Tiles" & EN490.



Condron Concrete Works

CONDRON CONCRETE WORKS IS A TRADENAME FOR CONDRON CONCRETE LTD.
ARDEN ROAD, TULLAMORE, CO. OFFALY, IRELAND.

Condron Concrete Plain Tile/Cladding Tile



NOTE: Reference should be made to ICP2.2002 for Slating and Tiling and any new Irish code of practices in the future. Condron Concrete Roof Tiles comply with I.S.3: 1972 "Concrete Roofing Tiles" & EN490.



Condron Concrete Works

CONDRON CONCRETE WORKS IS A TRADENAME FOR CONDRON CONCRETE LTD.

ARDEN ROAD, TULLAMORE, CO. OFFALY, IRELAND.

Technical Data for Concrete Plain Tile/Cladding Tile

Size	265mm X 165mm
Pitch	35° minimum
Gauge maximum	100mm
Cover Width	165mm
Cover Capacity	100mm Gauge - 60 Tiles per m ² 95mm Gauge - 64 Tiles per m ² 90mm Gauge - 68 Tiles per m ²
Surface	Smooth
Weight (approx) per 1,000 tiles	1.25 tonnes
Batten size for rafters not exceeding 450mm c/c	44mm X 35mm
Batten size for rafters not exceeding 600mm c/c	44mm X 35mm

COLOURS AVAILABLE:

Black, Grey, Brown, Marigold, Terracotta, Brown Streaky, Red Streaky and Marigold Streaky.

ACCESSORIES AVAILABLE:

Eave	Use Double Course at Eave with 200mm. Eave/Top Tiles for
Undercourse.	
Verge	Full Tile & Tile and Half in alternate courses.
Top	Course Single Course with 200mm Eave/Top Tile.
Hip	Bonnet Hip Tile.
Ridge	Universal Angle Ridge and High Pitch Angle Ridge.
Valley	Valley Tile.
Angles	External 90°.
Ornamental	Feature Tile.
Nails	40mm X 9 g A/Alloy.
Bedding	Coloured Pigments as required.



NOTE: Reference should be made to ICP2.2002 for Slating and Tiling and any new Irish code of practices in the future. Condron Concrete Roof Tiles comply with I.S.3: 1972 "Concrete Roofing Tiles" & EN490.



Condron Concrete Works

CONDRON CONCRETE WORKS IS A TRADENAME FOR CONDRON CONCRETE LTD.
ARDEN ROAD, TULLAMORE, CO. OFFALY, IRELAND.

Condron Concrete “M Profile” Tile



NOTE: Reference should be made to ICP2.2002 for Slating and Tiling and any new Irish code of practices in the future. Condron Concrete Roof Tiles comply with I.S.3: 1972 “Concrete Roofing Tiles” & EN490.



Condron Concrete Works

CONDRON CONCRETE WORKS IS A TRADENAME FOR CONDRON CONCRETE LTD.

ARDEN ROAD, TULLAMORE, CO. OFFALY, IRELAND.

Technical Data for Concrete "M Profile" Tile

Size	420mm X 330mm
Pitch	22 ½° minimum
Headlap 25 Degree and above	75mm
Headlap BELOW 22.5 Degrees	100mm
Gauge maximum	345mm
Covering Capacity (at 345mm gauge net)	10 tiles per m ²
Surface	Smooth
Weight (approx) per 1,000 tiles	4.8 tonnes
Batten size for rafters not exceeding 450mm c/c	44mm X 35mm
Batten size for rafters not exceeding 600mm c/c	44mm X 35mm

COLOURS AVAILABLE:

Black, Grey, Brown, New Brown, Red, Marigold, Terracotta, Brown Streaky, Red Streaky, Marigold Streaky and Terracotta Streaky.

ACCESSORIES AVAILABLE:

Half Tile	Half Tile.
Eave	Standard Tile.
Ridge	Half Round Ridge, Universal Angle Ridge and High Pitch Angle Ridge. Ridge Half Round Ridge, Universal Angle Ridge and High Pitch Angle Ridge.
Hip	Half Round Ridge, Universal Angle Ridge and High Pitch Angle Ridge.
Verge	Half Cloak Verge Tile Left and Right.
Nails	50mm X 9g A/Alloy.
Bedding	Coloured Pigments as required.



NOTE: Reference should be made to ICP2.2002 for Slating and Tiling and any new Irish code of practices in the future. Condron Concrete Roof Tiles comply with I.S.3: 1972 "Concrete Roofing Tiles" & EN490.



Condron Concrete Works

CONDRON CONCRETE WORKS IS A TRADENAME FOR CONDRON CONCRETE LTD.
ARDEN ROAD, TULLAMORE, CO. OFFALY, IRELAND.

Condron Concrete Slate





Condron Concrete Works

CONDON CONCRETE WORKS IS A TRADENAME FOR CONDRON CONCRETE LTD.
ARDEN ROAD, TULLAMORE, CO. OFFALY, IRELAND.





Condron Concrete Works

CONDON CONCRETE WORKS IS A TRADENAME FOR CONDRON CONCRETE LTD.
ARDEN ROAD, TULLAMORE, CO. OFFALY, IRELAND.





Condron Concrete Works

CONDON CONCRETE WORKS IS A TRADENAME FOR CONDRON CONCRETE LTD.
ARDEN ROAD, TULLAMORE, CO. OFFALY, IRELAND.







Condron Concrete Works

CONDON CONCRETE WORKS IS A TRADENAME FOR CONDRON CONCRETE LTD.
ARDEN ROAD, TULLAMORE, CO. OFFALY, IRELAND.





Condron Concrete Works

CONDON CONCRETE WORKS IS A TRADENAME FOR CONDRON CONCRETE LTD.
ARDEN ROAD, TULLAMORE, CO. OFFALY, IRELAND.





Condron Concrete Works

CONDRON CONCRETE WORKS IS A TRADENAME FOR CONDRON CONCRETE LTD.

ARDEN ROAD, TULLAMORE, CO. OFFALY, IRELAND.

Technical Data for Concrete Slate

Size	300mm X 330mm
Pitch	25° minimum (100mm headlap)
Headlap	100mm / minimum 94mm
Gauge maximum	206mm approx.
Covering Capacity at 206mm gauge (net)	16 Condron Slates per m ² approx.
Weight (approx) per 1,000 Condron Slates	2.7 tonnes approx.
Batten size for rafters not exceeding 450mm c/c	44mm X 35mm
Batten size for rafters not exceeding 600mm c/c	44mm X 35mm
Batten Centres	200mm / 206mm

COLOURS AVAILABLE:

Black, Slate Grey, Brown, New Brown

ACCESSORIES AVAILABLE:

Half Slate	Half Slate
Eave	Standard Slate.
Ridge	Universal Angle Ridge, High Pitch Angle Ridge and Half Round Ridge.
End Ridge	Universal Angle Ridge, High Pitch Angle Ridge and Half Round Ridge.
Hip	Universal Angle Ridge, High Pitch Angle Ridge and Half Round Ridge
Nails	40mm x 3.35mm A/Alloy.
Bedding	Coloured Pigments as required.
Ventilation	G3/G8
Fixing	Nail Twice

NOTE: Reference should be made to ICP2. 2002 for Slating and Tiling and any new Irish code of practices in the future. Condron Concrete Roof Tiles comply with I.S.3:1972 "Concrete Roofing Tiles" & EN490.

INTRODUCTION

The performance of the finished roof is dependent on the design, location, type of felt used and quality of workmanship. The Condron Slate should be treated with the same regard as a natural slate and roof ladders should be used when fitting of maintenance is required.

NAIL HOLES

Care should be taken to prevent damaging the felt and, any damage that does occur, should be properly repaired. It is recommended that at pitches on exposed sites, high performance felt should be used.

FIXING

In the case of roof pitches over 45 degrees, and on exposed roofs, each slate to be nailed twice and clipped. For roof pitches below 25 degrees and on exposed sites, consideration should be given to the design of the roof, and designers and users should contact our technical sales office for advice.

NOTE: Reference should be made to ICP2.1982 for Slating and Tiling and British Standard; BS 5534: Part 1. The Condron Slate complies with EN490. Climatic Conditions: The colour of The Condron Slate will weather over a period of time due to exposure, site location and weather conditions.

The information given in this manual, is, to the best of our knowledge correct, but customers, including architects and specifiers, must satisfy themselves, that any particular product is suitable for their specific requirements. Condron Concrete Works, or their employees, or agents, do not accept any liability whatsoever arising from anything contained in this Manual.



Condron Concrete Works

CONDRON CONCRETE WORKS IS A TRADENAME FOR CONDRON CONCRETE LTD.
ARDEN ROAD, TULLAMORE, CO. OFFALY, IRELAND.

Condron Concrete Senior Slate Tile





Condron Concrete Works

CONDRON CONCRETE WORKS IS A TRADENAME FOR CONDRON CONCRETE LTD.

ARDEN ROAD, TULLAMORE, CO. OFFALY, IRELAND.

Technical Data for Concrete Senior Slate Tile

Size	420mm X 330mm
Pitch	22 ½° minimum
Headlap 22 ½° and above	100mm
Gauge maximum	345mm
Covering Capacity (at 345mm gauge net)	10 tiles per m ²
Surface	Smooth
Weight (approx) per 1,000 tiles	5 tonnes
Batten size for rafters not exceeding 450mm c/c	44mm X 35mm
Batten size for rafters not exceeding 600mm c/c	44mm X 35mm



COLOURS AVAILABLE:

Black and Grey,

ACCESSORIES AVAILABLE:

Eaves:	Standard Tile.
Ridge:	Universal Angle Ridge and High Pitch Angle Ridge.
End Ridge:	Universal Angle Ridge and High Pitch Angle Ridge.
Hip:	Universal Angle Ridge and High Pitch Angle Ridge.
Nails:	50mm X 9g A/Alloy
Bedding:	Coloured Pigments as required.



NOTE: Reference should be made to ICP2. 2002 for Slating and Tiling and any new Irish code of practices in the future. Condron Concrete Roof Tiles comply with I.S.3:1972 "Concrete Roofing Tiles" & EN490.









Accessories & Technical Specifications

UNIVERSAL CONCRETE ANGLE RIDGE		
Pitches Length External Width External Height Weight Surface Colours Bedding Material	17.5 degrees to 37 degrees approx. 500mm 250mm 100mm 6.6 kilos approx. Smooth Terracotta, Brown, Grey, Black, Marigold and Red. Coloured pigments as required.	
HIGH PITCH CONCRETE ANGLE RIDGE		
Pitches Length External Width External Height Weight Surface Colours Bedding Material	37 degrees to 50 degrees approx. 500mm 250mm 140mm 8.2 kilos approx. Smooth Terracotta, Brown, Grey, Black, Marigold and Red. Coloured pigments as required.	
HALF ROUND CONCRETE RIDGE		
Pitches Length External Width External Height Weight Surface Colours Bedding Material	Universal 412mm 250mm 100mm 5.8 kilos approx. Smooth Terracotta, Brown, Grey, Black, Marigold, Brick Red & Red. Coloured pigments as required.	
UNIVERSAL ORNAMENTAL SHAMROCK ANGLE RIDGE		
Pitches Length External Width External Height Weight Surface Colours Bedding Material	17.5 degrees to 37 degrees approx. 500mm 250mm 100mm 6.6 kilos approx. Smooth Terracotta, Brown, Grey, Black, Marigold and Red. Coloured pigments as required.	
HIGH PITCH ORNAMENTAL SHAMROCK ANGLE RIDGE		
Pitches Length External Width External Height Weight Surface Colours Bedding Material	37 degrees to 50 degrees approx. 500mm 250mm 140mm 8.2 kilos approx. Smooth Terracotta, Brown, Grey, Black, Marigold and Red. Coloured pigments as required.	
UNIVERSAL COCKS COMB ORNAMENTAL ANGLE RIDGE		
Pitches Length External Width External Height Weight Surface Colours Bedding Material	17.5 degrees to 37 degrees approx. 500mm 250mm 100mm 6.6 kilos approx. Smooth Terracotta, Brown, Grey, Black, Marigold and Red. Coloured pigments as required.	

Accessories & Technical Specifications

HIGH PITCH COCKS COMB ORNAMENTAL ANGLE RIDGE			
Pitches	37 degrees to 50 degrees approx.		
Length	500mm		
External Width	250mm		
External Height	140mm		
Weight	8.2 kilos approx.		
Surface	Smooth		
Colours	Terracotta, Brown, Grey, Black, Marigold and Red.		
Bedding Material	Coloured pigments as required.		
VENTILATED RIDGE TILES			
Pitches	Universal		
Length	500mm		
External Width	250mm		
External Height	100mm		
Weight	6.6 kilos approx.		
Surface	Smooth		
Colours	Terracotta, Brown, Grey, Black, Marigold and Red.		
Bedding Material	Coloured pigments as required.		
MONO RIDGE TILES			
Length	450mm		
Surface	Smooth		
Colours	Black, Brown, Grey, Terracotta, Marigold and Brick Red.		
Bedding Material	Coloured pigments as required.		
BABY ANGLE RIDGE			
Length	300mm		
External Width	150mm		
Surface	Smooth		
Colours	Black, Brown, Grey, Terracotta, Marigold and Brick Red.		
Bedding Material	Coloured pigments as required.		
BABY HALF ROUND RIDGE			
Length	300mm		
External Width	150mm		
Surface	Smooth		
Colours	Black, Brown, Grey, Terracotta, Marigold and Brick Red.		
Bedding Material	Coloured pigments as required.		
BONNET HIP			
Surface	Smooth		
Colours	Black, Brown, Grey, Terracotta, Marigold and Brick Red.		
Bedding Material	Coloured pigments as required.		

Accessories & Technical Specifications

VALLEY TILES		
Surface Colours Bedding Material	Smooth Black, Brown, Grey, Terracotta, Marigold and Brick Red. Coloured pigments as required.	
90 DEGREE EXTERNAL ANGLE		
Surface Colours Bedding Material	Smooth Black, Brown, Grey, Terracotta, Marigold and Brick Red. Coloured pigments as required.	<div style="display: flex; justify-content: space-around;"> <div style="text-align: center;"><small>Left</small> </div> <div style="text-align: center;"><small>Right</small> </div> </div>
135 DEGREE EXTERNAL ANGLE		
Surface Colours Bedding Material	Smooth Black, Brown, Grey, Terracotta, Marigold and Brick Red. Coloured pigments as required.	<div style="display: flex; justify-content: space-around;"> <div style="text-align: center;"><small>Left</small> </div> <div style="text-align: center;"><small>Right</small> </div> </div>
HALF CLOAK PANTILE		
Length External Width Surface Colours Bedding Material	420mm 165mm Approx. Smooth Black, Brown, Grey, Terracotta, Marigold and Brick Red. Coloured Pigments as required.	
HALF CLOAK M PROFILE		
Length External Width Surface Colours Bedding Material	420mm 165mm Approx. Smooth Black, Brown, Grey, Terracotta, Marigold and Brick Red. Coloured pigments as required.	
HALF TILES		
Length External Width Surface Colours Bedding Material	420mm 165mm Approx. Smooth Black, Brown, Grey, Terracotta, Marigold and Brick Red. Coloured pigments as required.	



Condron Concrete Works

CONDRON CONCRETE WORKS IS A TRADENAME FOR CONDRON CONCRETE LTD.

ARDEN ROAD, TULLAMORE, CO. OFFALY, IRELAND.

Fixing

GENERAL:

CONCRETE PANTILE.

All tiles at perimeters and each tile in every alternate course to be nailed or clipped (nails and clips supplied by Condron Concrete Works). In the case of roof pitches over 45 degrees, and on exposed roofs, each tile to be nailed and clipped. For roof pitches below 25 degrees, all tiles must be clipped. For roof pitches below 25 degrees and on exposed sites, consideration should be given to the design of the roof, and designers and users should contact our technical sales office for advice.

CONCRETE SLATE TILE & "BULLNOSE" SLATE TILE.

Concrete slate tiles are laid broken jointed, and all tiles at perimeters and each tile in every alternate course should be nailed or clipped. In the case of roof pitches of 45 degrees or above, and on exposed roofs, each tile to be nailed and clipped. For roof pitches below 25 degrees, all tiles to be clipped. For roof pitches below 25 degrees and on exposed sites, consideration should be given to the design of the roof, and designers, and users, should contact our technical sales office for advice.

CONCRETE 3 IN 1 TILE / CLADDING TILE.

All perimeter tiles at rafter pitches to 45 degrees, to be fixed with 2 No. 40mm 9 gauge aluminium nails, (1 No. nail at each other edge per tile) and at least every tile in every fifth course to be nailed with 2 No. 40mm 9 gauge aluminium nails (1 No. nail at each other edge per tile). For rafter pitches of 45 degrees and above and on exposed roofs, every tile in every course to be fixed with 2 No. 40mm aluminium nails (1 No. nail at each other edge of tile).

CONCRETE PLAIN TILE / CLADDING TILE

All perimeter tiles, to a minimum of 600mm wide / deep on rafter pitch below 45 degrees to be fixed with 1 No. 40mm 9 gauge aluminium nail per tile, and every tile in every fifth row to be fixed with 1 No. 40mm 9 gauge aluminium nail per tile. For rafter pitches of 45 degrees and over and on exposed roofs, every tile in every course to be fixed with 1 No. 40mm aluminium nail per tile.

CONCRETE 'M' PROFILE TILE.

Concrete M-Profile tiles are laid broken jointed, and all tiles at perimeters and each tile in every alternate course should be nailed or clipped. In the case of roof pitches of 45 degrees or above, and on exposed roofs, each tile to be nailed and clipped. For roof pitches below 25 degrees, all tiles to be clipped. For roof pitches below 25 degrees and on exposed sites, consideration should be given to the design of the roof, and designers, and users, should contact our technical sales office for advice.

CONCRETE SLATE

Concrete slate tiles are laid broken jointed, and all tiles at perimeters and each tile in every alternate course should be nailed or clipped. In the case of roof pitches over 45 degrees, and on exposed roofs, each slate to be nailed twice and clipped. For roof pitches below 25 degrees and on exposed sites, consideration should be given to the design of the roof, and designers and users should contact our technical sales office for advice.

CONCRETE SENIOR SLATE

Concrete slate tiles are laid broken jointed, and all tiles at perimeters and each tile in every alternate course should be nailed or clipped. In the case of roof pitches over 45 degrees, and on exposed roofs, each slate to be nailed twice and clipped. For roof pitches below 25 degrees and on exposed sites, consideration should be given to the design of the roof, and designers and users should contact our technical sales office for advice.

VERGE

CONCRETE PANTILE.

(a) The dry verge to be fitted with Condron Concrete Half Cloak Concrete Verge Tile. (If required a Half Pantile is available.) (b) P.V.C. dry verge to be fixed as per manufacturer's instructions. (c) The verges are formed with 150mm wide fibre cement strip undercloak, bedded in coloured mortar (pigments supplied by Condron Concrete Works) and to project 38mm to 50mm over gable wall or barge board.

CONCRETE SLATE TILE & "BULLNOSE" SLATE TILE.

(a) The dry verge to be fitted with Condron Concrete Half Cloak Concrete Verge Tile. (b) P.V.C. dry verge to be fixed as per manufacturer's instructions. (c) The verges are formed with 150mm wide fibre cement strip undercloak, bedded in coloured mortar (pigments supplied by Condron Concrete Works) and to project 38mm to 50mm over gable wall or barge board.

CONCRETE 3 IN 1 TILE / CLADDING TILE.

(a) All verges to be laid broken –bonded with full tiles and tile -and- a half in alternate courses. (b) The dry verge to be fixed in accordance with manufacturer's instruction. (c) The verges are formed with 150mm wide fibre cement slate undercloak, bedded in mortar (pigments if required, supplied by Condron Concrete Works) to project 38mm to 50mm over gable wall or barge board.

CONCRETE PLAIN TILE/ CLADDING TILE.

(a) All verges to be laid broken-bonded, with full tiles and tile-and-a-half in alternate courses. (b) The dry verge to be fitted in accordance with the manufacturer's



Condron Concrete Works

CONDRON CONCRETE WORKS IS A TRADENAME FOR CONDRON CONCRETE LTD.

ARDEN ROAD, TULLAMORE, CO. OFFALY, IRELAND.

Fixing

instruction. (c) The verges are formed with 150mm wide fibre cement undercloak, bedded in mortar (pigments if required, supplied by Condron Concrete Works) to project 38mm to 50mm over gable wall or barge board.

CONCRETE `M` PROFILE TILE.

Need Text

CONCRETE SLATE

Need Text

CONCRETE SENIOR SLATE

Need Text

EAVES

CONCRETE PANTILE / SLATE TILE / "BULLNOSE" SLATE TILE.

The eaves are formed with standard tiles. The first course of tiles is laid over the fascia board to the centre line of gutter, and this eave course must be laid at the same pitch as the rest of the roof. The design of a bellcast or sprocket at the eave is not recommended in single lap tiles.

CONCRETE 3 IN 1 TILE/ CLADDING TILE / PLAIN TILE.

At the eaves, use double course throughout using 200mm Eave / Top Tile for the undercourse to give the same overhang as the last main tile. Bellcasts at eaves can be used in 3 in 1 / Plain Tiles and designers and users should contact our technical sales office for advice.

CONCRETE `M` PROFILE TILE.

Need Text

CONCRETE SENIOR SLATE

Need Text

TOP EDGE

CONCRETE PLAIN TILE / 3 IN 1 TILE.

At the top edge, the Eave / Top Tile should be fixed on the top course by nailing to the top batten.

CONCRETE `M` PROFILE TILE.

Need Text

CONCRETE SENIOR SLATE

Need Text

APPLIES TO ALL ROOF TILES

FELT:

Felt to comply with I.S.36: 1972 and should be laid over rafters, lapped 150mm horizontal and 300mm vertical. The felt should be fixed with clout nails, allow drainage of water and should extend into the gutters. Water traps behind the fascia must be avoided, and a continuous fillet should be fitted to support the felt. (Two courses of felt at eaves is recommended) Care should be taken to prevent damaging the felt, and any damage done must be repaired before fixing the tiles. It is recommended that at pitches below 25 degrees and on exposed roofs, high performance felt should be considered, and designers and users

HIPS:

The hips to be covered with Condron's Half Round Ridge, Universal Angle Ridge, High Pitch Angle Ridge and Bonnet Hip in matching colours. All Hip Tiles should be edge bedded onto the tiles, with solid bedding at butt joints.

ABUTMENTS:

The tiles must be cut closely at the abutments, with a cover flashing dressed well down onto the adjacent tiles. Special attention should be given to detailing of flashings, and underlay felt, at abutments, chimneys, roof lights, valleys etc.

RIDGE:

The ridge to be covered with Condron's Half Round Ridge, Universal Angle Ridge, or High Pitch Angle Ridge, similar colour and texture to the roof tiles, edge bedded on the tiles, with solid bedding at butt joints. (Appropriate measures should be taken to achieve a proper bond).

VENTILATION:

Roof space should be properly ventilated, as roofs not properly ventilated can result in condensation or efflorescence. Ref: I.C.P2 and B.S.5534 and any new Irish Code of Practices in the future.

NOTE:

Reference should be made to ICP2.2002 for Slating and Tiling and any new Irish Code of Practices in the future. Condron Concrete Roof Tiles comply with I.S.3: 1972 "Concrete Roofing Tiles" & EN490.



Condron Concrete Works

CONDON CONCRETE WORKS IS A TRADENAME FOR CONDRON CONCRETE LTD.

ARDEN ROAD, TULLAMORE, CO. OFFALY, IRELAND.

Accessories

ACCESSORIES AVAILABLE:

Soil pipe ventilators, Tile vents, Roof lights, Eave fillers, Dry verge, Clips, Nails, Ventilated ridge, Rectangle soffit vent, Strip vent, Roof space vent, Over fascia vent, Roof tile paint, Coloured pigments.

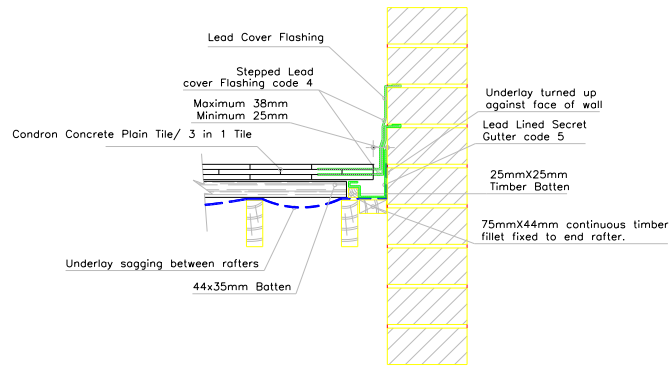
CLIMATIC CONDITIONS:

The colour of the roof tiles will weather over a period of time due to exposure, site location and weather conditions. The degree and pace of change is dependent upon weather conditions, pitch and site location.

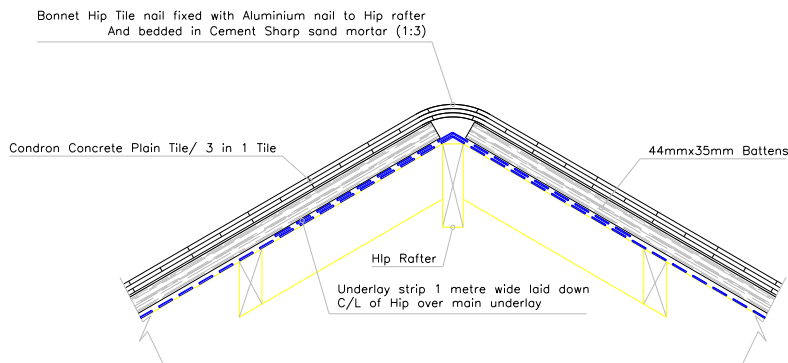




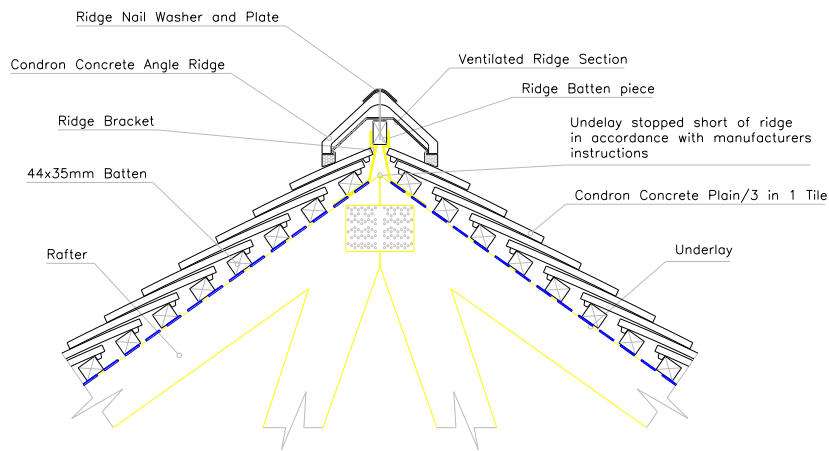
Technical Drawings



Abutment with Apron Flashing and side Gutter



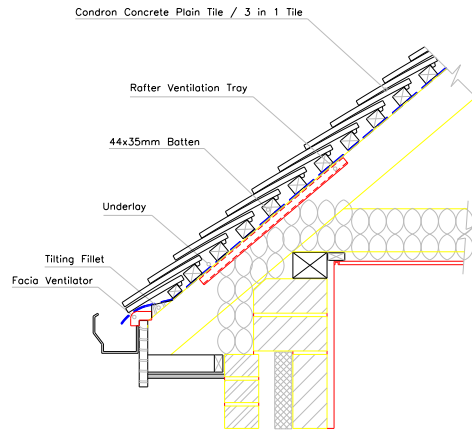
Bonnet Hip (Plain Tile/3 in 1 Tile)



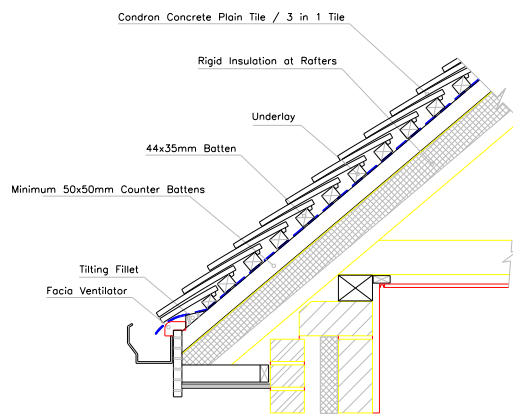
Dry Ridge System (Plain Tile / 3 in 1 Tile)

NOTE: Reference should be made to ICP2.2002 for Slating and Tiling and any new Irish Code of Practices in the future.

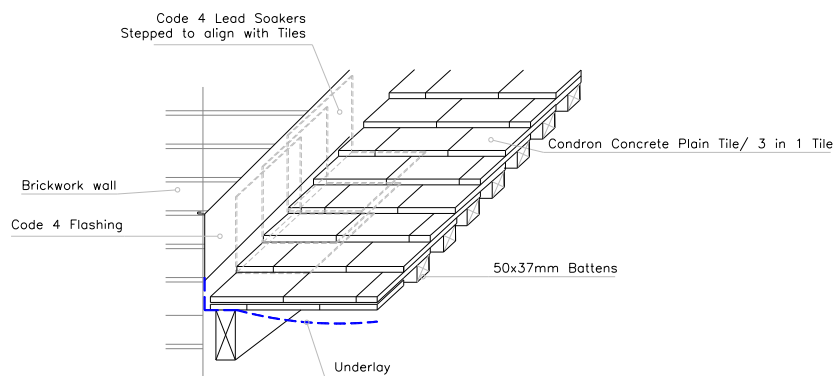
CONDRON CONCRETE WORKS IS A TRADENAME FOR CONDRON CONCRETE LTD.
 ARDEN ROAD, TULLAMORE, CO. OFFALY, IRELAND.



Eaves Ventilation (Plain Tile / 3 in 1 Tile)



Eaves Ventilation Insulation at Rafter Level (Plain Tile / 3 in 1 Tile)

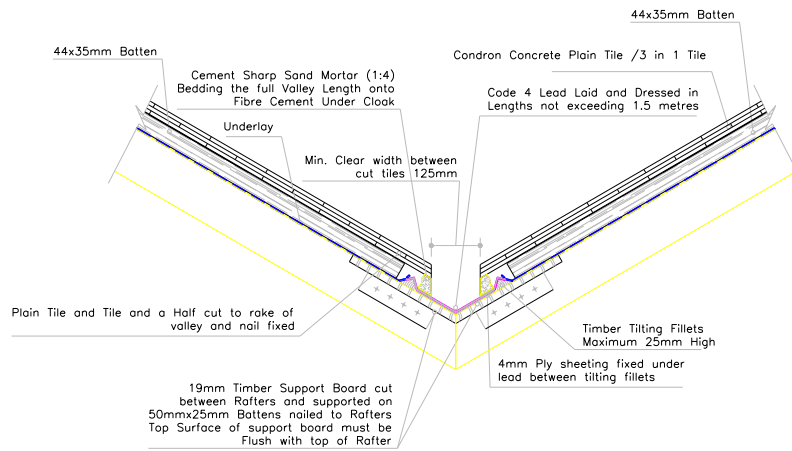


Abutment with Lead Soakers (Plain Tile / 3 in 1 Tile)

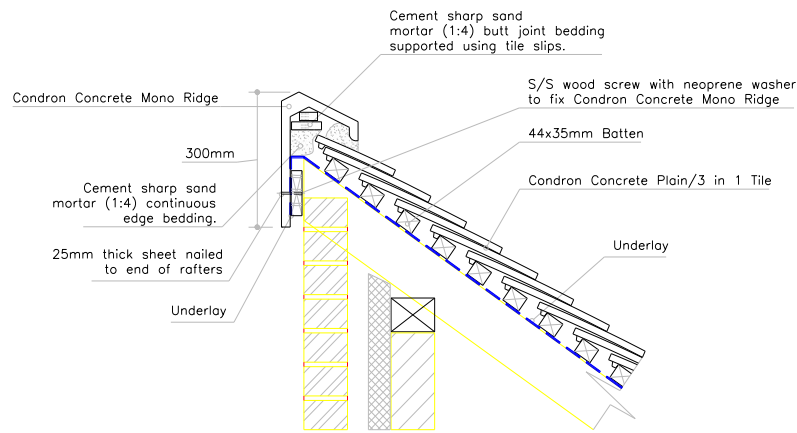
NOTE: Reference should be made to ICP2.2002 for Slating and Tiling and any new Irish Code of Practices in the future.

CONDRON CONCRETE WORKS IS A TRADENAME FOR CONDRON CONCRETE LTD.

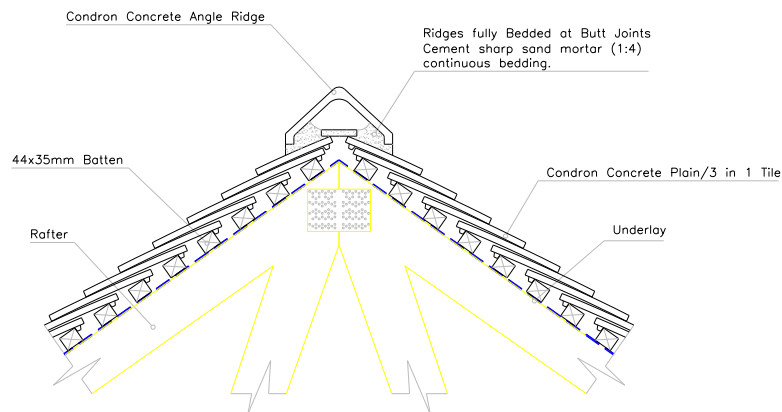
ARDEN ROAD, TULLAMORE, CO. OFFALY, IRELAND.



Lead Valley (Plain Tile/ 3 in 1 Tile)



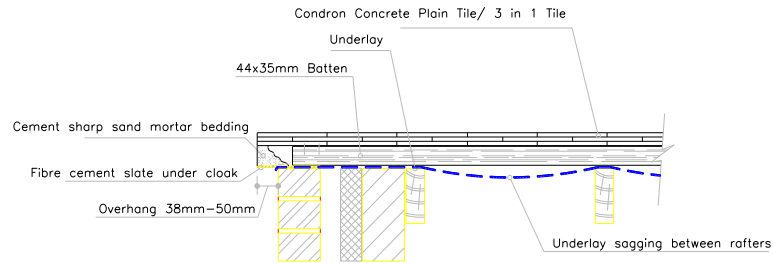
Mortar Bedded Mono Ridge (Plain Tile / 3 in 1 Tile)



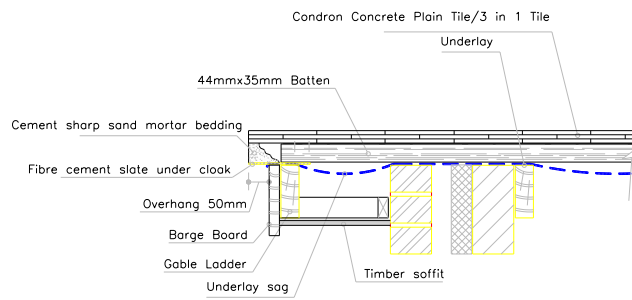
Mortar Bedded Ridge (Plain Tile / 3 in 1 Tile)

NOTE: Reference should be made to ICP2.2002 for Slating and Tiling and any new Irish Code of Practices in the future.

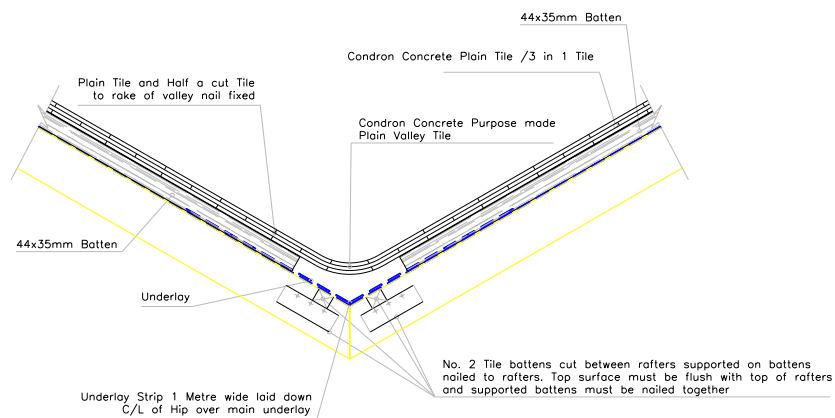
CONDRON CONCRETE WORKS IS A TRADENAME FOR CONDRON CONCRETE LTD.
ARDEN ROAD, TULLAMORE, CO. OFFALY, IRELAND.



Mortar Bedded Verge (Plain tile/ 3 in 1)



Mortar Bedded Verge with Barge Over-Hang(Plain Tile/ 3 in 1)



Plain Tile/3 in 1 Tile Valley

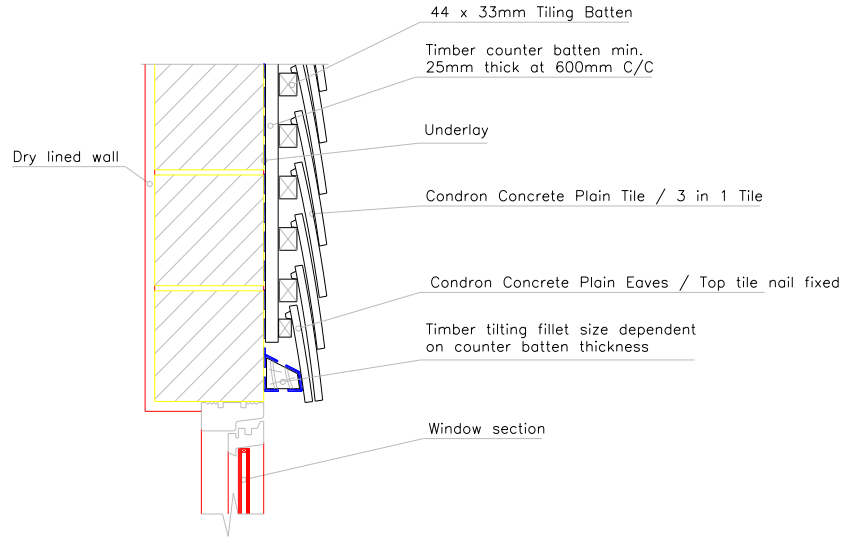
NOTE: Reference should be made to ICP2.2002 for Slating and Tiling and any new Irish Code of Practices in the future.



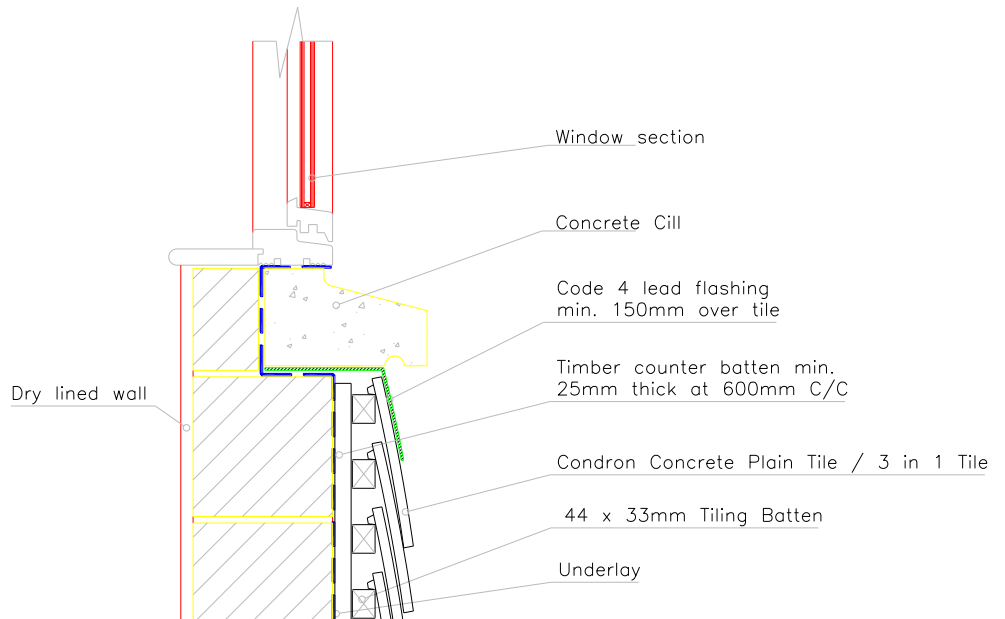
Condron Concrete Works

CONDRON CONCRETE WORKS IS A TRADENAME FOR CONDRON CONCRETE LTD.

ARDEN ROAD, TULLAMORE, CO. OFFALY, IRELAND.



Window Head Detail (Plain Tile / 3 in 1 Tile)

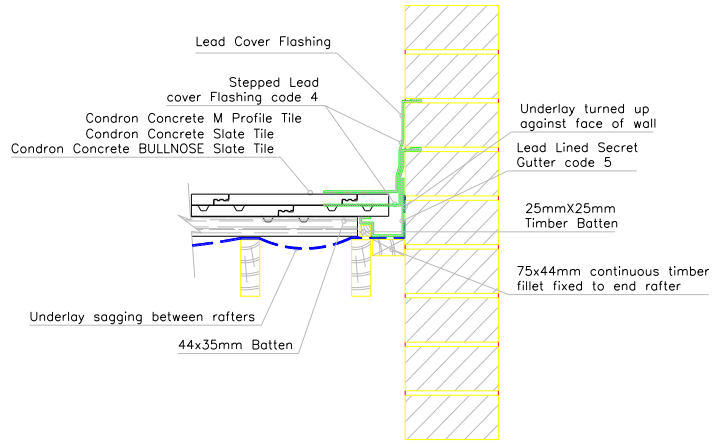


Window Cill Detail (Plain Tile / 3 in 1 Tile)

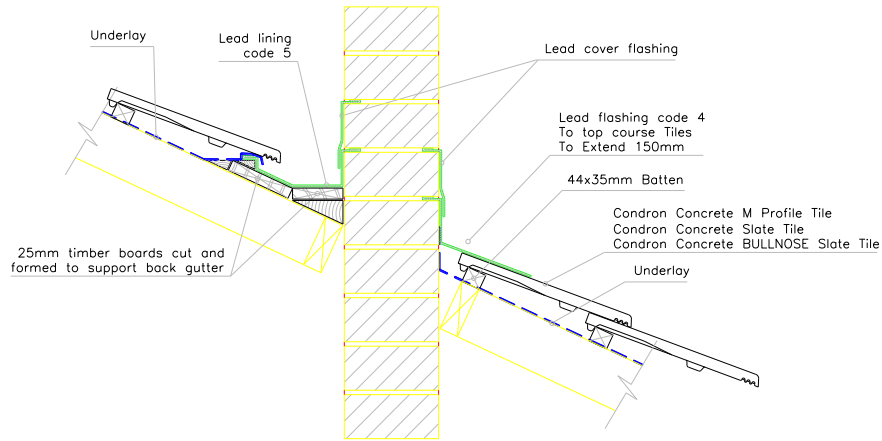
NOTE: Reference should be made to ICP2.2002 for Slating and Tiling and any new Irish Code of Practices in the future.

CONDRON CONCRETE WORKS IS A TRADENAME FOR CONDRON CONCRETE LTD.

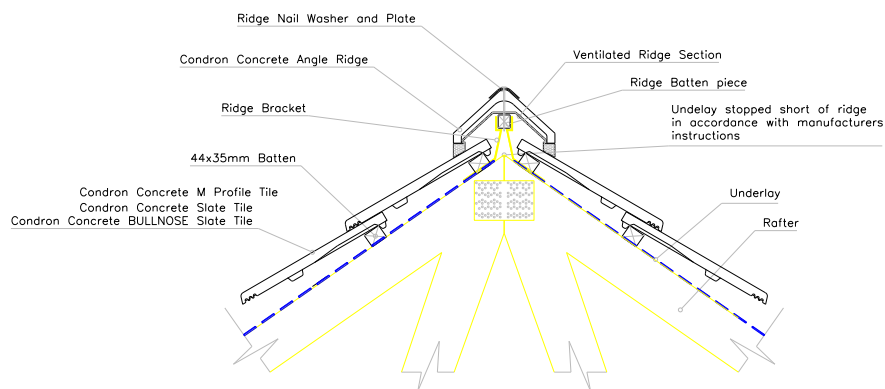
ARDEN ROAD, TULLAMORE, CO. OFFALY, IRELAND.



Abutment with Apron Flashing and side Gutter

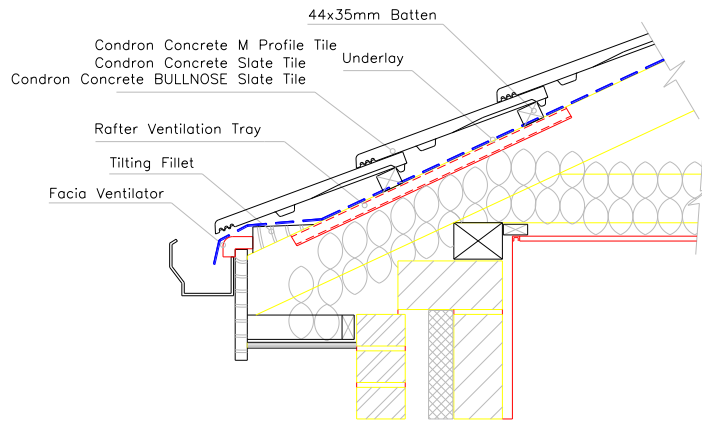


Abutment with Back Gutter and Top Course Flashing

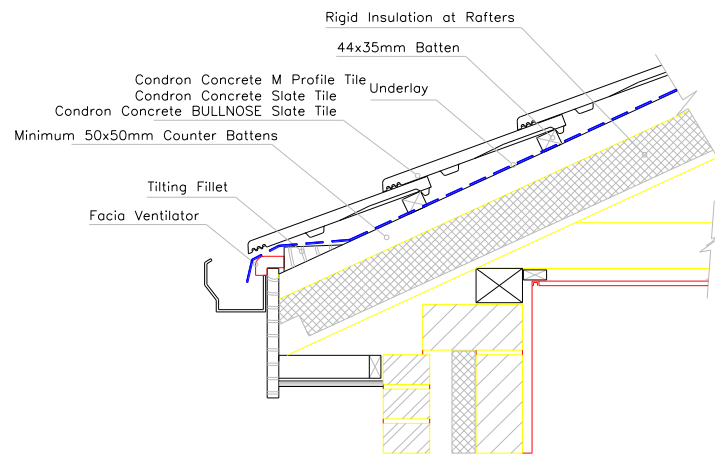


Dry Ridge System (M Profile Tile/ Slate Tile /Bullnose Tile)

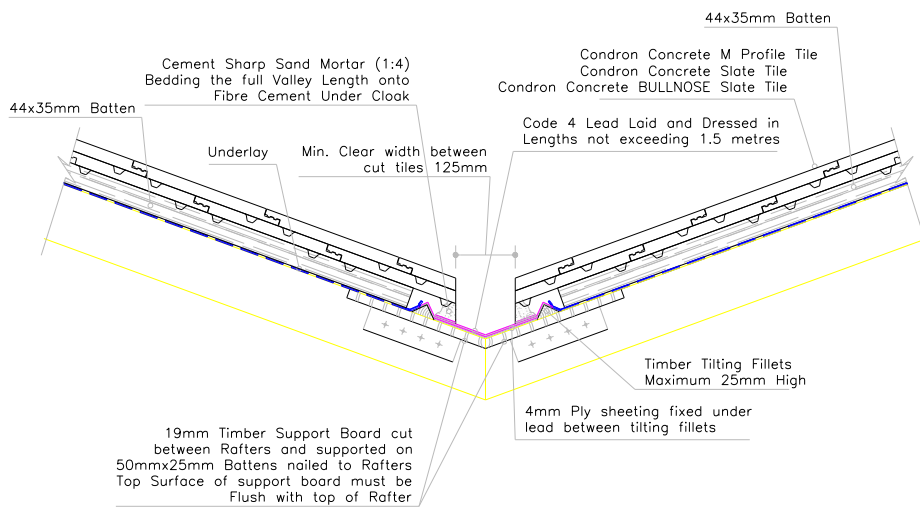
NOTE: Reference should be made to ICP2.2002 for Slating and Tiling and any new Irish Code of Practices in the future.



Eaves Ventilation (M Profile Tile/ Slate Tile /Bullnose Tile)



Eave Ventilation Insulation at Rafter Level



Lead Valley

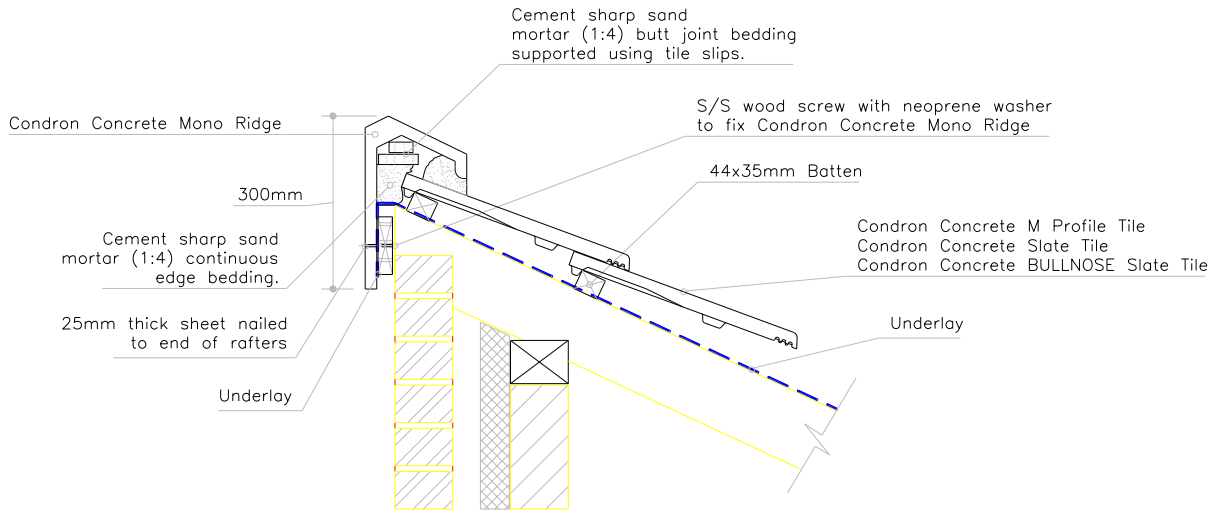
NOTE: Reference should be made to ICP2.2002 for Slating and Tiling and any new Irish Code of Practices in the future.



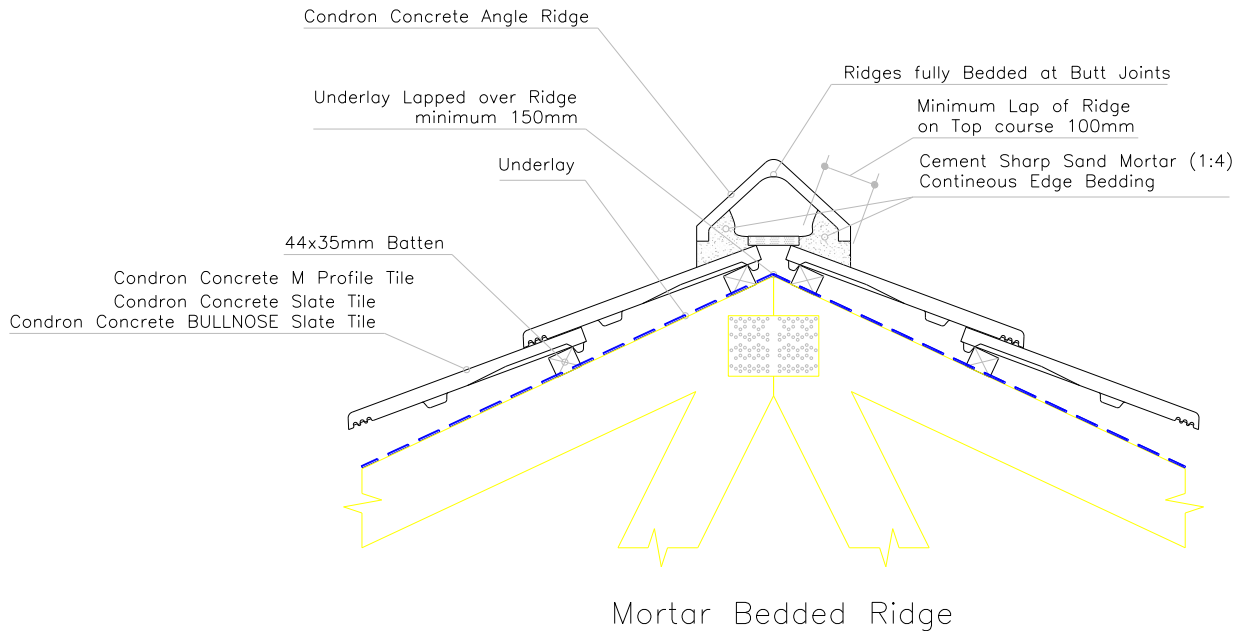
Condron Concrete Works

CONDRON CONCRETE WORKS IS A TRADENAME FOR CONDRON CONCRETE LTD.

ARDEN ROAD, TULLAMORE, CO. OFFALY, IRELAND.



Mortar Bedded Mono Ridge (M Profile Tile/ Slate Tile /Bullnose Tile)



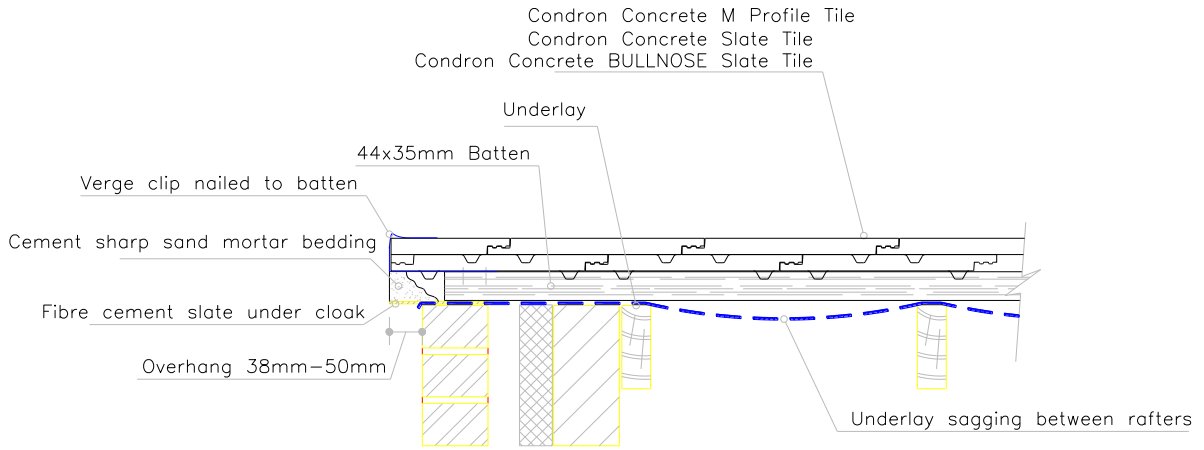
NOTE: Reference should be made to ICP2.2002 for Slating and Tiling and any new Irish Code of Practices in the future.



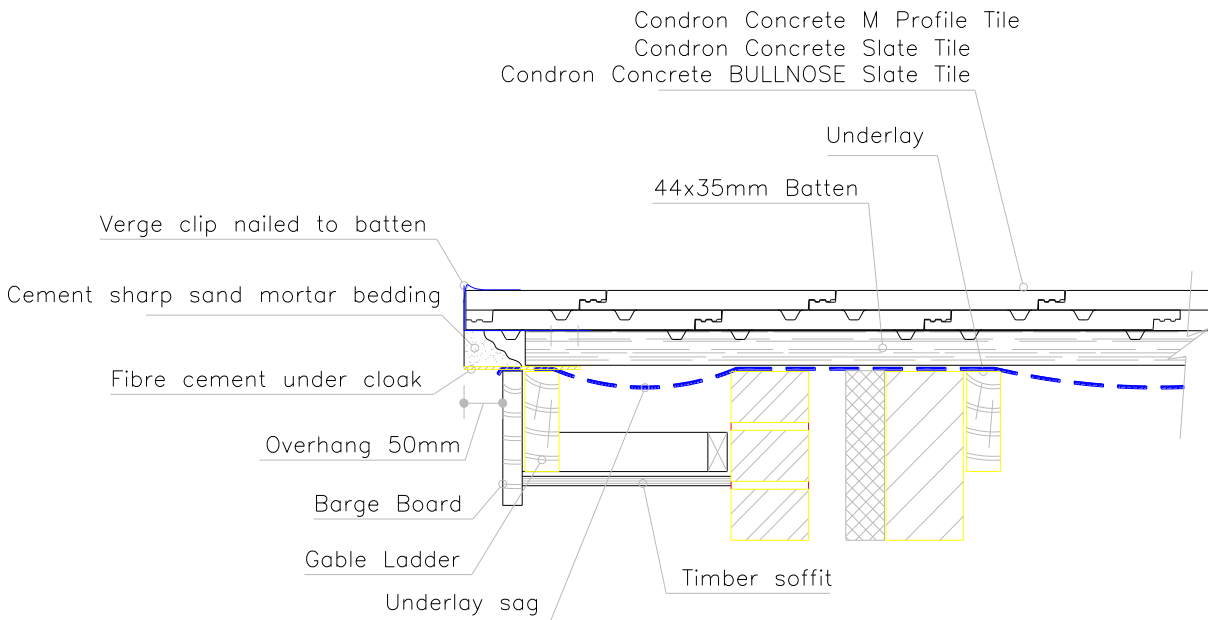
Condron Concrete Works

CONDON CONCRETE WORKS IS A TRADENAME FOR CONDRON CONCRETE LTD.

ARDEN ROAD, TULLAMORE, CO. OFFALY, IRELAND.



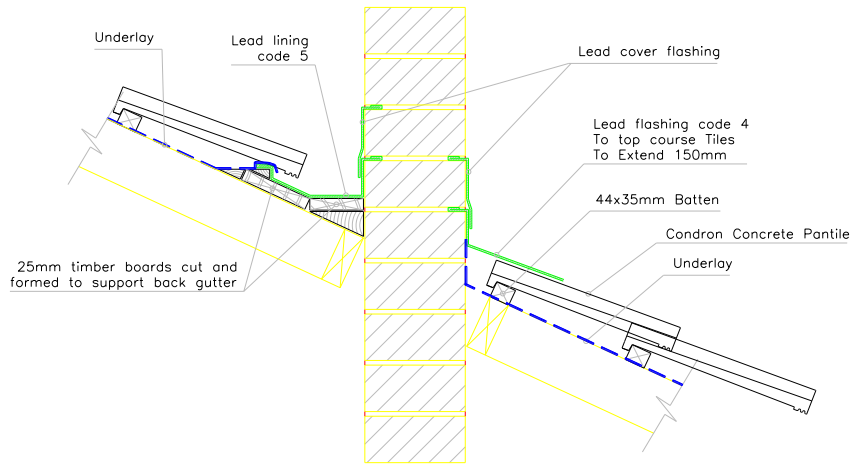
Mortar Bedded Verge



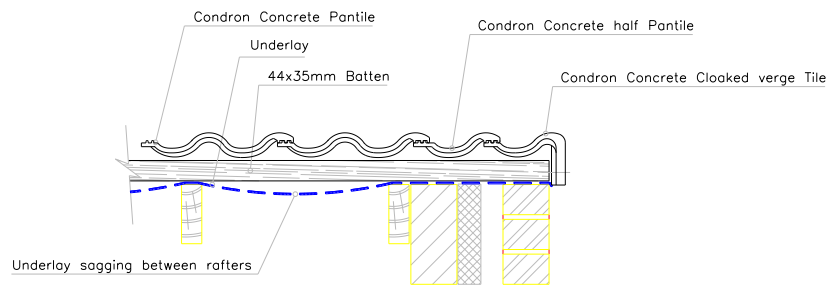
Mortar Bedded Verge with Barge Over-Hang

NOTE: Reference should be made to ICP2.2002 for Slating and Tiling and any new Irish Code of Practices in the future.

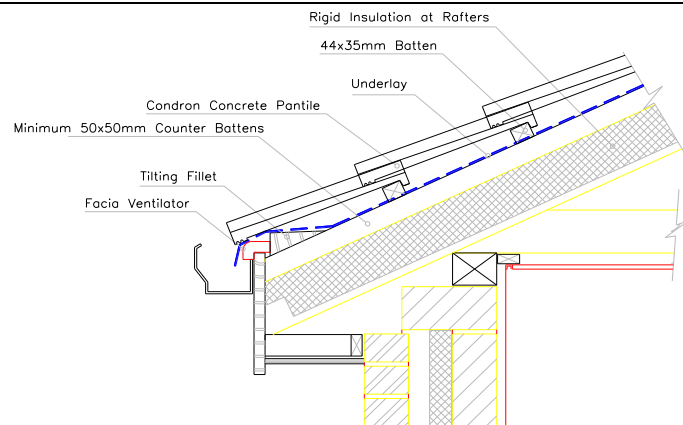
CONDRON CONCRETE WORKS IS A TRADENAME FOR CONDRON CONCRETE LTD.
 ARDEN ROAD, TULLAMORE, CO. OFFALY, IRELAND.



Abutment with Back Gutter and Top Course Flashing



Cloaked Verge Right Hand

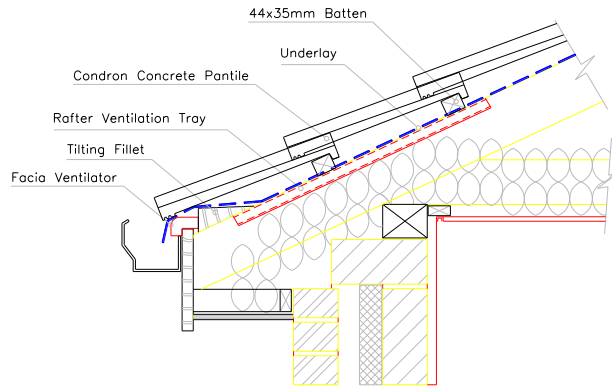


Eave Ventilation Insulation at Rafter Level

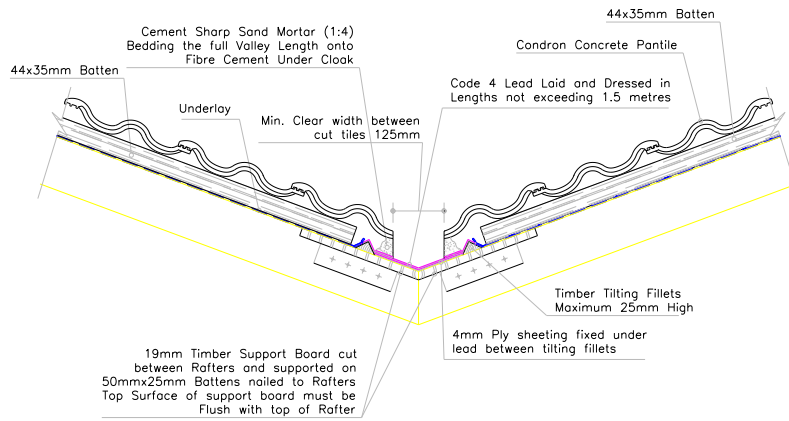
NOTE: Reference should be made to ICP2.2002 for Slating and Tiling and any new Irish Code of Practices in the future.

CONDROn CONCRETE WORKS IS A TRADENAME FOR CONDROn CONCRETE LTD.

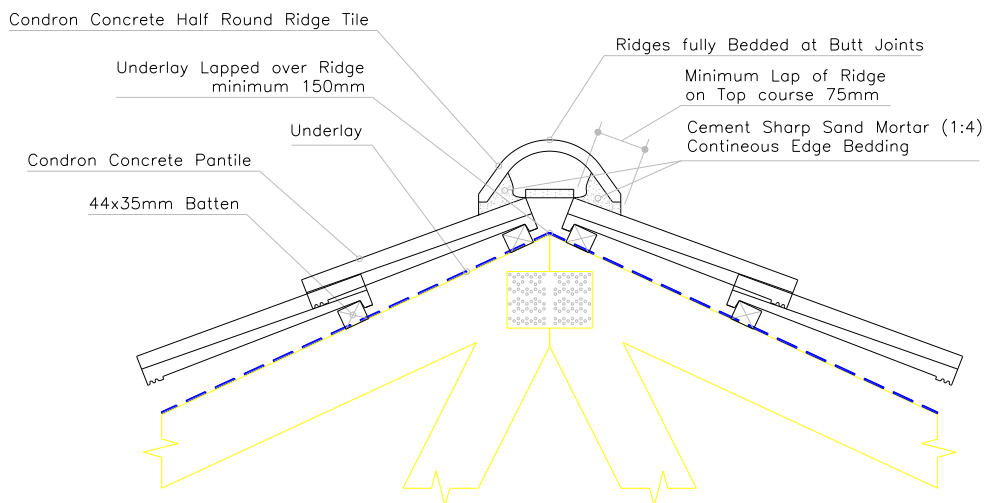
ARDEN ROAD, TULLAMORE, CO. OFFALY, IRELAND.



Eaves Ventilation/Pantile



Lead Valley



Mortar Bedded Half Round Ridge

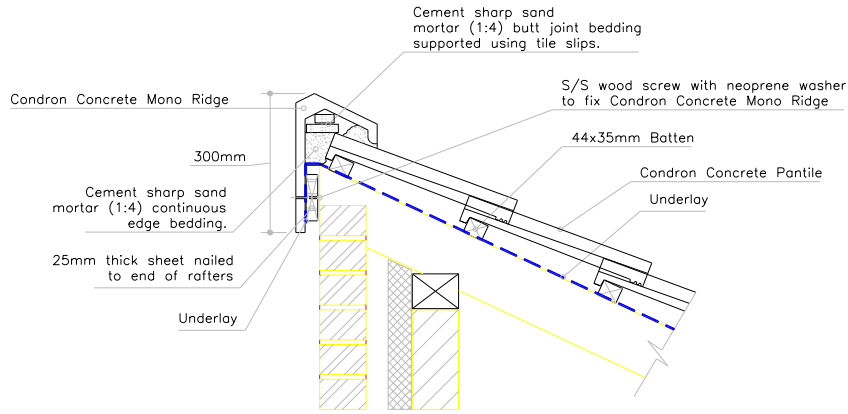
NOTE: Reference should be made to ICP2.2002 for Slating and Tiling and any new Irish Code of Practices in the future.



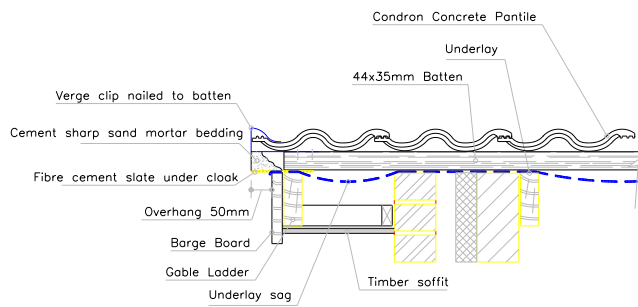
Condron Concrete Works

CONDRON CONCRETE WORKS IS A TRADENAME FOR CONDRON CONCRETE LTD.

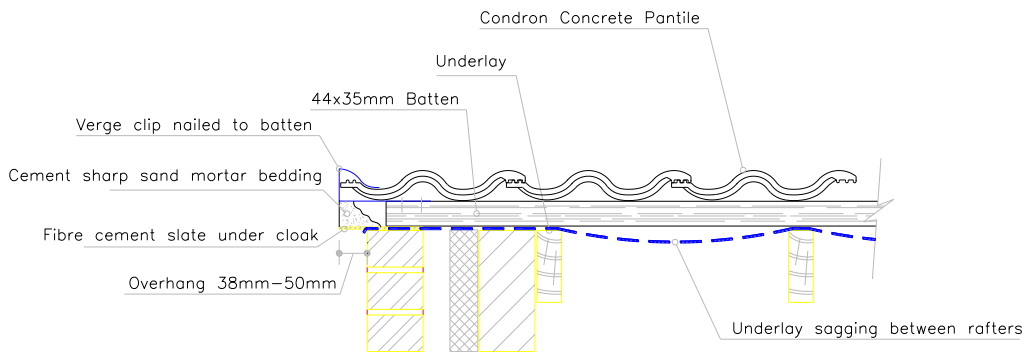
ARDEN ROAD, TULLAMORE, CO. OFFALY, IRELAND.



Mortar Bedded Mono Ridge/Pantile



Mortar Bedded Verge with Barge Over-Hang



Mortar Bedded Verge

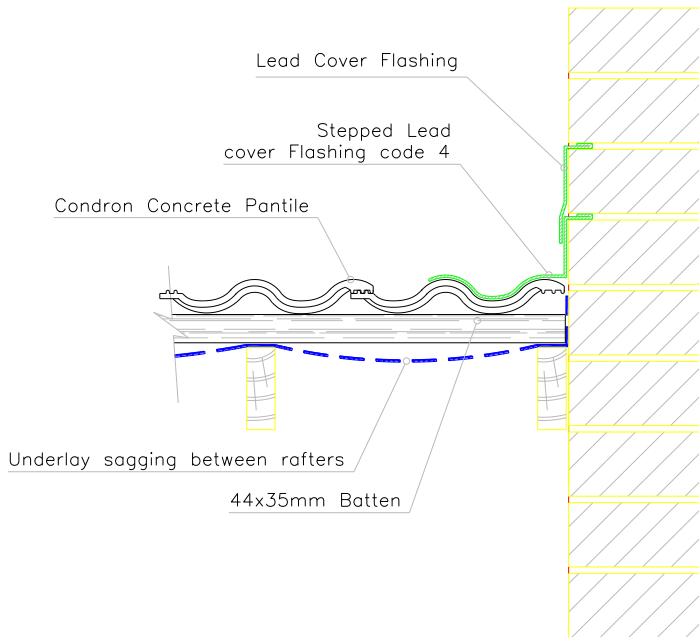
NOTE: Reference should be made to ICP2.2002 for Slating and Tiling and any new Irish Code of Practices in the future.



Condron Concrete Works

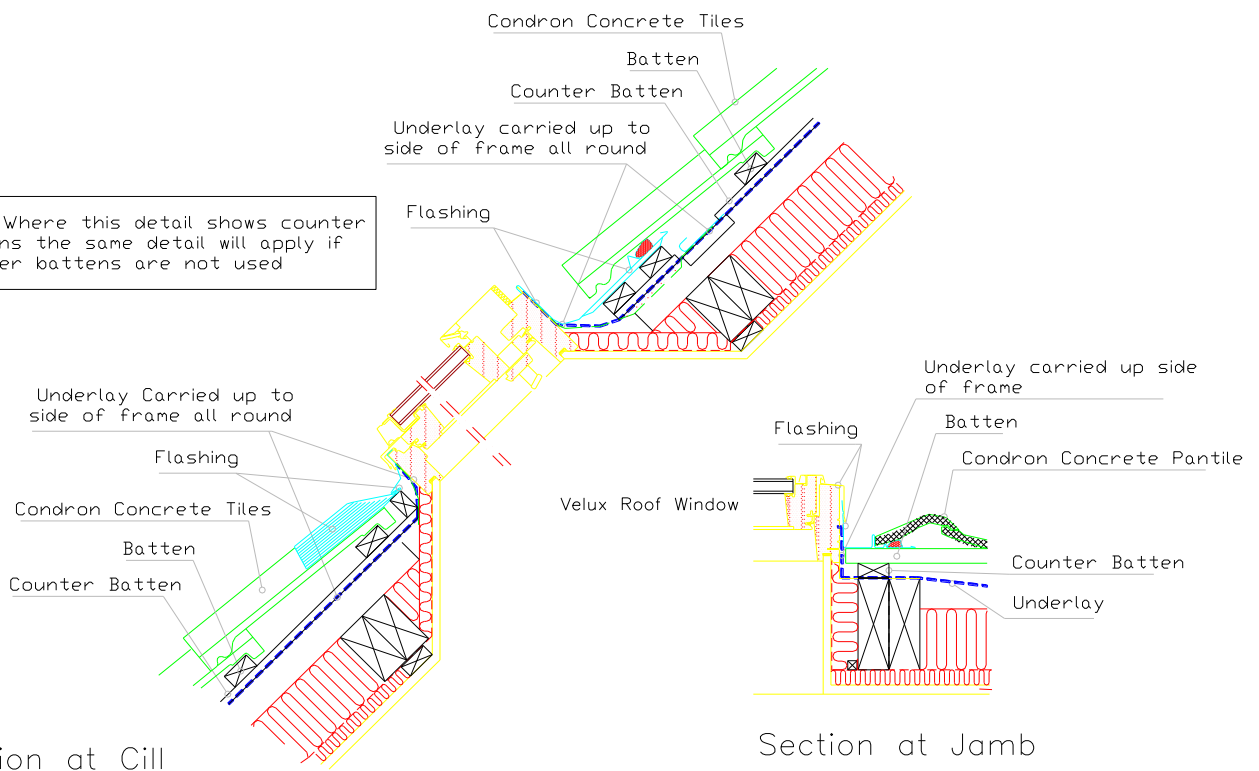
CONDRON CONCRETE WORKS IS A TRADENAME FOR CONDRON CONCRETE LTD.

ARDEN ROAD, TULLAMORE, CO. OFFALY, IRELAND.



Side Abutment Stepped Lead Cover Flashing/Pantile

NOTE: Where this detail shows counter battens the same detail will apply if counter battens are not used



Section at Cill

Section at Jamb

NOTE: Reference should be made to ICP2.2002 for Slating and Tiling and any new Irish Code of Practices in the future.



Condron Concrete Works

CONDRON CONCRETE WORKS IS A TRADENAME FOR CONDRON CONCRETE LTD.

ARDEN ROAD, TULLAMORE, CO. OFFALY, IRELAND.

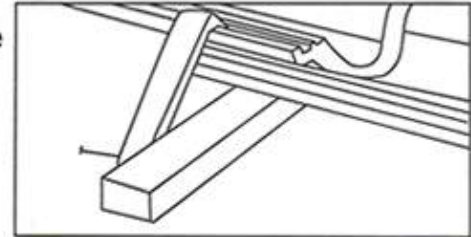
Fixing Accessories

BATTEN CLIPS

Pantile



Concrete Slate Tile
Concrete Bullnose Slate Tile



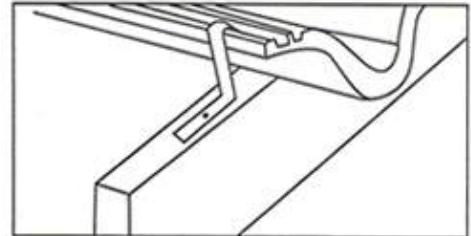
75 mm nails with batten clips

EAVE CLIPS

Concrete Slate Tile
Concrete Bullnose Slate Tile



Pantile



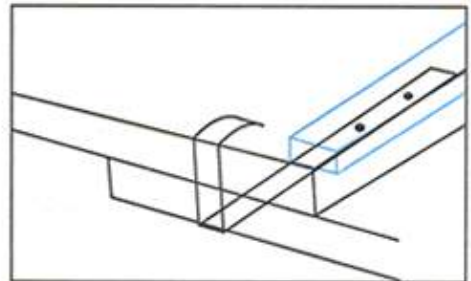
VERGE CLIPS

Concrete Slate Tile
Concrete Bullnose Slate Tile

Right Hand



Left Hand



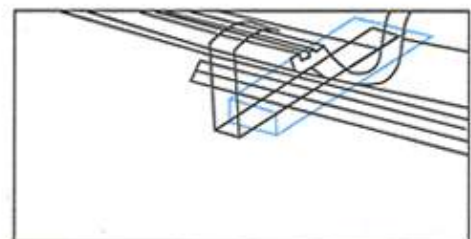
Pantile



Left Hand



Right Hand





Ventilation – LV75 Vent Tile – Pantile

Application

The LV75 cowl vent is a discreet ventilation solution and suitable as a ventilation outlet from rooms such as kitchens, bathrooms or a stack pipe.

Please refer to national standards.

- For pitched roofs 15° – 45°
- 7,500 mm² ventilation area
- Can be manufactured for any profile

Design

The LV75 design diverts rain water around the vent. It has a built-in protective grille to keep out insects and drifting snow. The vent is supplied installed on a base plate shaped to fit the roof tile profile 100%. It is easily installed with the rest of the roofing material and always following the roof pitch, the vent presents a nicely integrated solution.

The FS4 adapter, supplied as a click-on addition, allows for connection of a Flexi-pipe and is fixed at the factory.

The vent is supplied complete with an underlay protector to protect the opening in the roof underlay.

Colour and Surface

Special coloured, glossy or structured with sand or granules the vents can be supplied with a 100% colour and surface match individually adjusted to each roofing material.

Materials

Both the Vent and adapter are manufactured from HIPS (High Impact Polystyrene).

Handling

Keep in the original packaging during transport.

Do not wrap and expose to heavy loads during transport.

Remove plastic bag before placing in sunlight.



Accessories





Ventilation – INV100 Inline Vent – 3 in 1 Tile

Application

The INV100 vent is camouflaged to look like the original roofing material, which makes it almost invisible and particularly suitable for flat roofing profiles. It is suitable as ventilation outlet from living quarters like kitchen, bathroom and laundry room.

Please refer to national standards.

- For pitched roofs min. 40°
- 10,000 mm² ventilation area
- Can be manufactured for shingle profiles only

Design

The INV100 vent is designed with a built in water stop concealed under the roof, which diverts rainwater safely back onto the roof surface. A protective grille keeps out insects and drifting snow. Easily installed with the rest of the roof the vent presents a very discreet ventilation solution.

The FS7 and P9 adapters allow for connection of Tubivent.

Colour and Surface

Special coloured, glossy or structured with sand or granules the vents can be supplied with a 100% colour and surface match individually adjusted to each shingle type.

Materials

Vent and adapters are manufactured from HIPS (High Impact Polystyrene).

Tubivent is manufactured from PP (PolyPropylene).

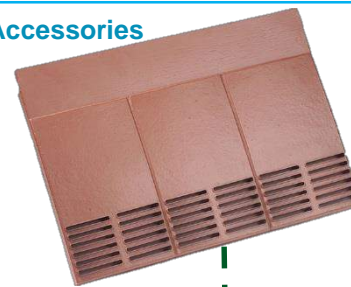
Handling

Keep in original packaging during transport. Do not wrap and expose to heavy load during transport.

Remove plastic bag before placing in sun.



Accessories



INV100



FS7 Adapter



P9 Adapter Ø 110 mm

Ø 75/110 mm



Tubivent

Ø 50/70/75/
100/110 mm



Ventilation – IV100 Inline Vent – Plain Tile

Application

The integrated vent IV100 is an absolutely discreet solution for ventilation of the roof space and batten cavity, or as a sanitary vent.

Please refer to national standards.

- **For pitched roofs**
- **10,000 mm² ventilation area**
- **Can be manufactured for any profile**

Note: min. 22.5° pitch
but depending on profile.

Design

The IV100 vent is designed to be as efficient and discreet as possible. It has a built in water stop, which diverts rainwater safely back onto the roof surface. A protective grille keeps out insects and drifting snow. The vent is supplied installed in a base plate shaped to fit the roof profile 100%.

Easily installed with the rest of the roofing material the vent presents a very discreet ventilation solution.

The vent is supplied complete with an underlay protector to protect the opening in the roof underlay

Colour and Surface

Special coloured, glossy or structured with sand or granules the vents can be supplied with a 100% colour and surface match individually adjusted to each roofing material.

Materials

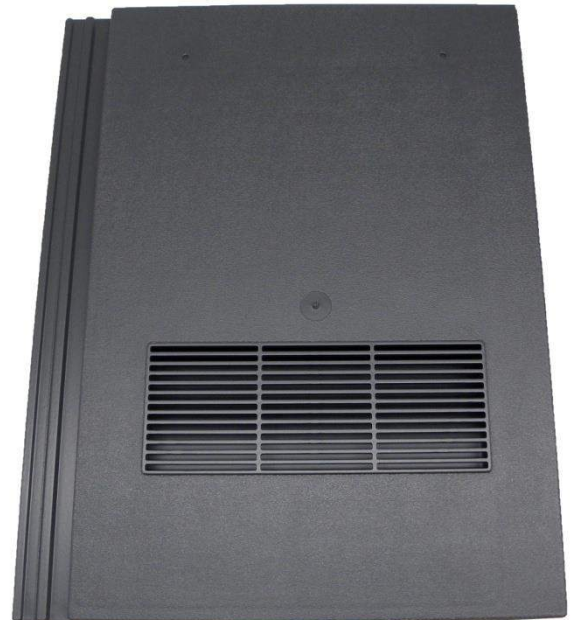
Both the Vent and adapter are manufactured from HIPS (High Impact Polystyrene).

Handling

Keep in the original packaging during transport.

Do not wrap and expose to heavy loads during transport.

Remove plastic bag before placing in sunlight.



Accessories





Ventilation – IV100 Inline Vent - Pantile

Application

The integrated vent IV100 from is an absolutely discreet solution as outlet of air from living quarters like kitchen, bathroom, laundry room or as stack pipe.

Please refer to national standards.

- For pitched roofs
- 10,000 mm² ventilation area
- Can be manufactured for any profile

Note:

Slate: min. 25° pitch

Clay and concrete: min. 22.5° pitch but depending on profile.

The IV100 vent is designed to be as efficient and discreet as possible. It has a built in water stop concealed under the roof, which diverts rainwater safely back onto the roof surface. A protective grille keeps out insects and drifting snow. The vent is supplied installed in a base plate shaped to fit the roof profile 100%. Easily installed with the rest of the roofing material, the vent presents a very discreet ventilation solution.

Colour and Surface

Special coloured, glossy or structured with sand or granules the vents can be supplied with a 100% colour and surface match individually adjusted to each roofing material.

Materials

Vent and adapter are manufactured from HIPS (High Impact Polystyrene). The Tubivent is manufactured from PP (PolyPropylene).

Handling

Keep in original packaging during transport. Do not wrap and expose to heavy load during transport. Remove plastic bag before placing in sunlight.



Accessories





Sanitary Vent LV200 - Pantile

Application

The cowl vent LV200 is a discreet ventilation solution and ideal for outlet of air from living quarters like kitchen, bathroom, tumbler, laundry room and as stack pipe.

LV200 can also be used for mechanical ventilation.

Please refer to national standards.

- For pitched roofs 15° – 45°
- 20,000 mm² ventilation area
- Can be manufactured for any profile

Design

The LV200 vent is designed especially for humid climates where requirements for ventilation are even more essential. Rain is diverted around the vent and a built in protective grille keeps out insects and drifting snow. The vent is supplied installed on a base plate shaped to fit the roof profile 100%. Easily installed with the rest of the roofing material and always following the roof pitch, the vent presents a nicely integrated solution.

The Ø 160mm adapter allows for connection of Multiadapter and Tubivent.

Colour and Surface

Special coloured, glossy or structured with sand or granules the vents can be supplied with a 100% colour and surface match individually adjusted to each roofing material.

Materials

Vent and adapters are manufactured from HIPS (High Impact Polystyrene).

The Tubivent is manufactured from PE (Polypropylene).

Handling

Keep in original packaging during transport. Do not wrap and expose to heavy load during transport.

Remove plastic bag before placing in sunlight.



Accessories





Solar Tube Tile - TT- Plain Tile

Application

Tube Tile is developed specially for leading pipes safely through the roof surface e.g. from solar systems.

Please refer to national standards.

- For pitched roofs 15° – 45°
- Can be manufactured for any profile

Design

Available as:

TT-1 – with rubber sleeve, water stop and 2 drain holes. Max. Ø 46 mm pipe. For slates, steel and corrugated sheets.

TT-2 – with rubber sleeve Max. Ø 46 mm pipe. For clay and concrete.

TT-3 – with water stop and 2 drain holes. Max. Ø 90 mm pipe. For slates, steel and corrugated sheets.

TT-4 – cast in one piece.

Max. Ø 90 mm pipe. For clay and concrete.

TT-5 – with rubber sleeves, water stop and 2 drain holes. 2 pipes max. Ø 27 mm. For slates, steel and corrugated sheets.

TT-6 – with rubber sleeves. 2 pipes max. Ø 27 mm. For clay and concrete.

The tube tile is supplied installed on a base plate shaped to match the roof profile 100%. Easily installed with the rest of the roof and discreetly integrated in the roof surface.

Colour and Surface

Special coloured, glossy or structured with sand of granules the vents can be supplied with a 100% colour and surface match individually adjusted to each roofing material.

Materials

Tube Tile is manufactured from HIPS (High Impact Polystyrene).

Handling

Keep in original packaging during transport. Do not wrap and expose to heavy load during transport.

Remove plastic bag before placing in sunlight.



For one pipe

For two pipes

Underlay protection

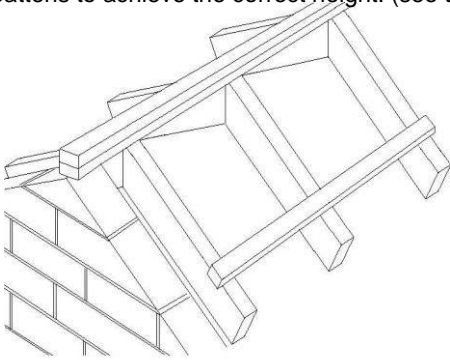


Dry-Fix Ridge System Fitting Instructions

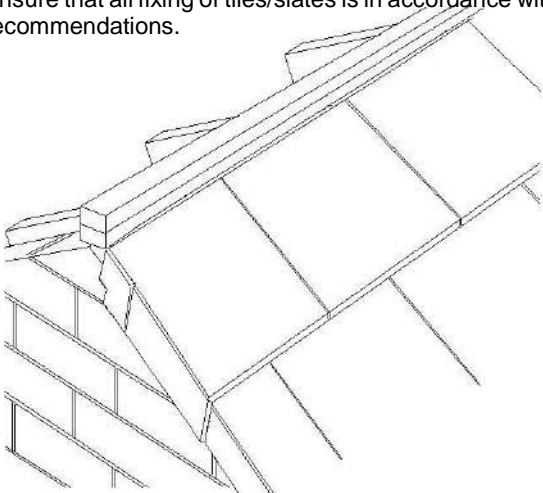
Carton Contents

- 1 No 300mm x 5 metre Ventilated Ridge Roll
Net free ventilation area of roll = 20,000mm²/m
- 10 No Ridge to Ridge Seals
- 10 No 110mm Stainless Steel screwnails
with fitted neoprene washers
- 10 No Ridge tile connector plates & plastic plugs

1. Lay the underlay and batten the roof in the normal manner, but do not fix the top tiling batten at this stage. Ensure that the top batten is as close to the ridge batten as the tile ribs will allow. Install a ridge batten, using a combination of tiling battens to achieve the correct height. (see table overleaf)

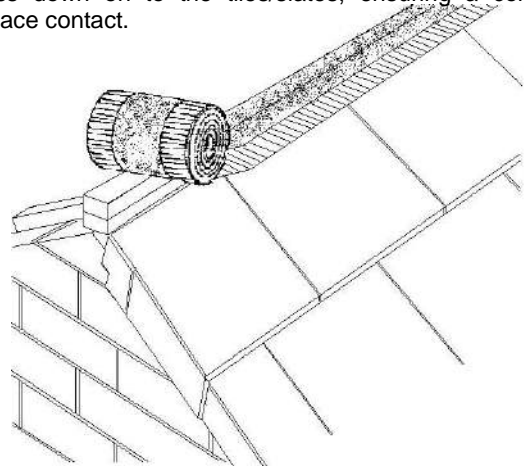


2. Lay and fix the top courses of tiles in the normal way, including all dry verge or mortar bedded verge tiles/slates. Ensure that all fixing of tiles/slates is in accordance with fixing recommendations.



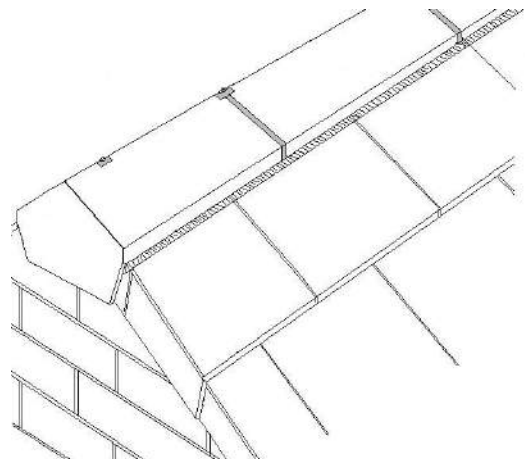
3. Before installing the ridge roll, make sure that the tiles/slates are dry and free from dust and any other surface contamination which could prevent the butyl from sticking to the tiles/slates

4. Roll out the ridge roll along the centre line of the ridge batten and secure with staples or felt nails. Peel off the protective paper strip from the butyl tapes on either side of the roll and press down on to the tiles/slates, ensuring a continuous surface contact.



5. Position a ridge to ridge seal under the open end of the first ridge tile and then place the next ridge tile over the seal. Place a ridge tile connector plate over the joint, parallel to the ridge line, and push a plastic plug through the hole in the plate and into the ridge to ridge seal. Nail securely through the hole and into the ridge batten, using the screwnails and washers provided. The screwnails can be driven in with a hammer and then finally tightened, or removed, with a screwdriver. Always ensure that the screwnails penetrate the ridge batten by a minimum of 40mm.

Continue fixing in the same way along the entire length of the ridge, cutting the final ridge to fit. Do not attempt to secure cut ridges less than 200mm long. In this case cut the last 2 ridge tiles. Never place cut ridge tiles at the end of the ridge line.





Dry-Fix Ridge System Fitting Instructions

Joining Ridge roll

When joining ridge roll the overlap must be a minimum of 75mm

Mortar bedded Verge and end Ridge

Cut the ridge batten back 100mm and the ridge roll 50mm from the flush face of the mortar. Always fit the gable end ridges first and work from gable ends towards abutments. The end ridge is installed onto the verge mortar bedding, flush with the edge of the verge. To secure the end ridge it will be necessary to drill a 5mm diameter hole in the centre of the ridge. Fix securely using a screw nail, washer and plate as provided. Finish the mortar bedding in the usual manner.

Dry Verge and Block-end Ridge

Cut the ridge batten flush with the inside face of the cloaked verge tile (or the outside edge of standard verge tile, where using plastic dry verge systems). Roll the end of the ridge roll down over the face of the dry verge and up under the verge. Always fit the gable end ridges first and work from gable ends towards abutments. The Block-end ridge is installed tight against the finished verge. To secure the Block-end ridge it will be necessary to drill a 5mm diameter hole 100mm in from the outside end. Fix securely using a screw nail, washer and plate as provided.

Abutments

At Abutments the ridge roll should be turned up the wall by 70mm. The ridge tile should be secured as for a mortar bedded verge and a lead saddle should be installed as per the Lead Sheet Associations recommendations.

Junctions

At ridge/hip junctions extend the ridge batten 50mm beyond the apex where the ridge joins the hip rafters. Turn the ridge roll down 75mm over the tiles on the hip end. Install a lead saddle between the ridge roll and the ridge/hip tiles, with a welt along the edges under the ridge and hip tiles. The end ridge and top hip tiles should be neatly mitred, with the end ridge tile drilled as for a mortared verge. Bed the end of the ridge tile before screwing it to the ridge batten with the screw nails, washers and plates provided. Ensure that the screw nail fixing does not penetrate the lead saddle.

T Shaped Buildings

At the ridge intersection of a T shaped building, or where a lower level ridge intersects a roof slope, the ridge construction should not cross over the valley construction. Install a lead saddle onto the valley before laying the tiles/slates. Roll out the ridge roll along the head of the T Shape and stick the aluminium edge to the lead saddle. The ridge roll on the leg of the T shape, or where a low level ridge meets the valley, should be cut back 50mm from the face of the mortar bedding. The end ridge should be fixed as for a mortar bedded verge.

L Shaped Buildings

At the ridge intersection the ridge roll should be overlapped by a minimum of 75mm. Install a lead saddle between the ridge roll and the ridge and hip tiles, with a welt along the edges under the ridge tiles. The end ridges and top hip tile should be neatly mitred, with the end ridge tiles drilled as for a mortared verge. Bed the ends of the ridge tiles with the hip before screwing them to the ridge batten with the screw nails, washers and plates provided. Ensure that the screw nails do not penetrate the lead saddle. Flush off the mortar bedding.

Ridge Batten Height (mm)

Rafter Pitch	Universal Angle Ridge		Half Round Ridge	
	Condron Flat Tile	Double Lap Slates	Condron Pantile	Concrete Plain Tiles
15°	-	-	125	-
17½°	75	-	125	-
20°	75	75	100	-
22½°	75	50	100	-
25°	75	50	100	-
27½°	75	50	100	-
30°	50	25	100	-
32½°	50	25	100	-
35°	50	25	75	50
37½°	25	25	75	50
40°	25	25	75	25
42½°	25	-	75	25
45°	25	-	75	25
47½°	-	-	50	25



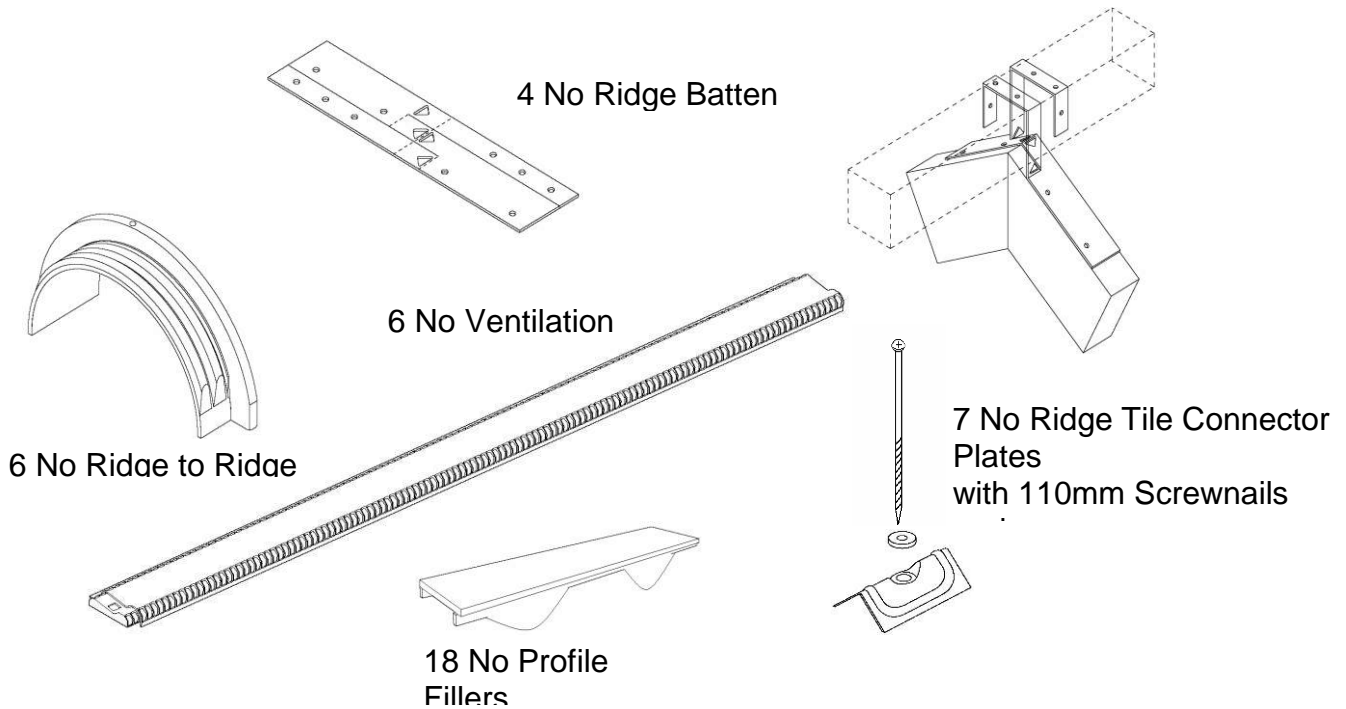
Condron Concrete Works

CONDRON CONCRETE WORKS IS A TRADENAME FOR CONDRON CONCRETE LTD.

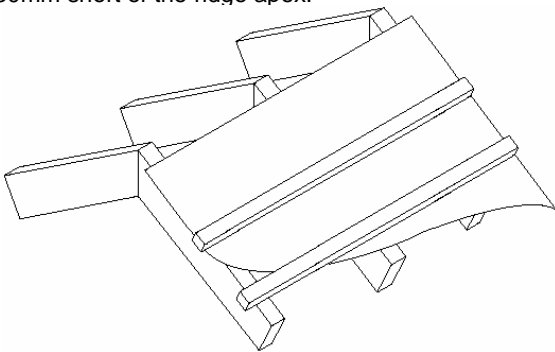
ARDEN ROAD, TULLAMORE, CO. OFFALY, IRELAND.

Dry Ventilated Ridge System Fitting Instructions

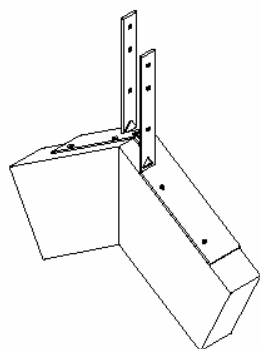
Components:



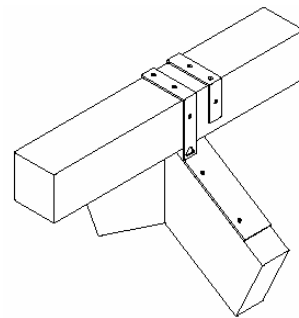
1. Lay the underlay and batten the roof in the normal manner, but do not fix the top tiling battens at this stage. Ensure that the top courses of underlay are cut to finish 30mm short of the ridge apex.



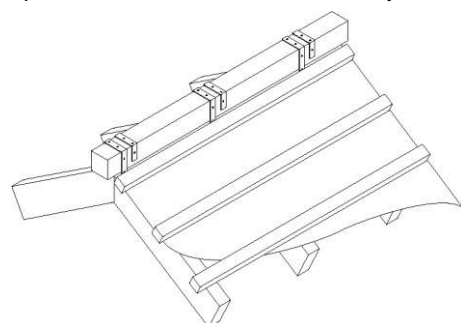
2. Bend the ridge batten straps at the centre mark, to suit the pitch of the roof. Position them centrally over the roof apex, at not more than 1000mm centres, and secure to the rafters or trusses with 30mm Clout head nails (only through the sections with 2 nail holes). Bend the free sections of the ridge batten straps, where marked, vertically upwards on both sides of the ridge.



3. Select a ridge batten of the correct size to suit the roof pitch and the type of roof tile being used (for guidance use the table opposite) and position between the upturned sections of the straps. Bend the straps over the ridge batten and secure with clout head nails.



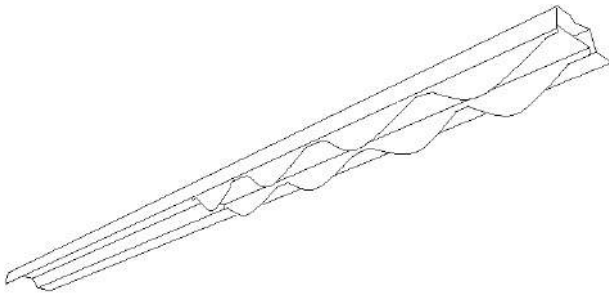
4. Position and fix the top tiling battens so that the minimum headlap of the ridges over the top courses of tiles is maintained. Nail the tiling battens over the ridge batten straps and then lay and fix the top courses of tiles in the normal way.



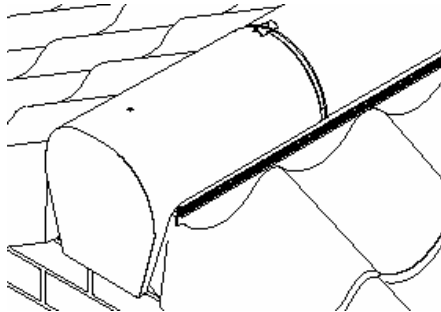


Dry Ventilated Ridge System Fitting Instructions

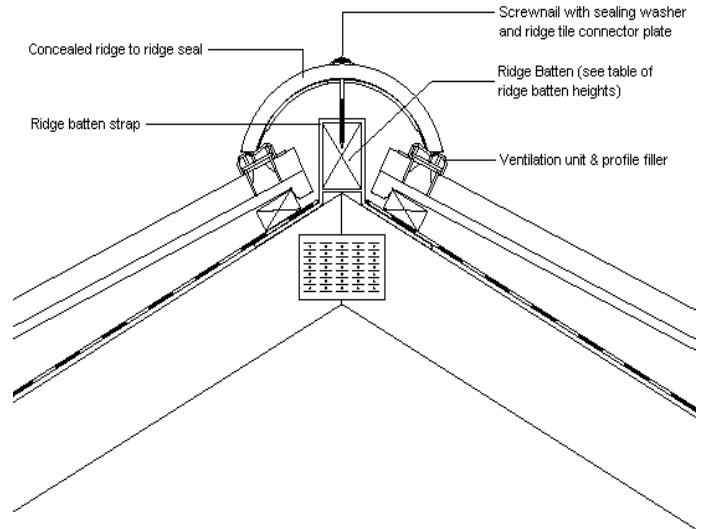
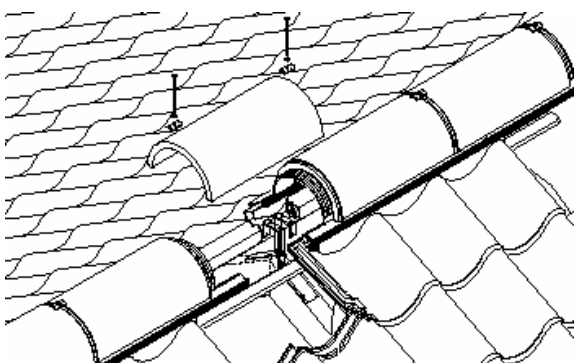
5. For Loch Erne tiles, click profile fillers into the ventilation units and then click the ventilation units end to end and position either side of the ridge. Make sure they are facing the correct way. (Note that the arrows on both the ventilation units and the profile fillers point towards the ridge). It may be necessary to cut the final pieces to suit the ridge length



6. At gables fit a block end ridge on the ventilation units and then fit a ridge to ridge seal under the open end of the ridge tile. Always work from the Gable towards an abutment. To secure the Block End ridges it will be necessary to drill a 4mm diameter hole, 100mm in from the outside end. Fix securely using a ridge connector plate and a 110mm Stainless steel screw nail and washer as provided. The screw nails can be driven in with a hammer and then finally tightened with a screwdriver. They may also be removed with a screwdriver.



7. Position a ridge to ridge seal under the open end of the first ridge tile and then place the next ridge tile over the seal. Place a ridge tile connector plate over the joint, parallel to the ridge line, and nail securely through the hole in the ridge seal, into the ridge batten, with the Screw nails and washers provided. Continue fixing in the same way along the entire length of the ridge, cutting the final ridge tile to fit. Do not attempt to secure cut ridges less than 200mm long. In this case cut the last 2 ridge tiles. Never place cut ridge tiles at the end of the ridge line.



Ridge Batten Height (mm)

Rafter Pitch	Universal Angle Ridge		Half Round Ridge	
	Condron Flat Tile	Double Lap Slates	Condron Pantile	Concrete Plain Tiles
15°	-	-	125	-
17½°	75	-	125	-
20°	75	75	100	-
22½°	75	50	100	-
25°	75	50	100	-
27½°	75	50	100	-
30°	50	25	100	-
32½°	50	25	100	-
35°	50	25	75	50
37½°	25	25	75	50
40°	25	25	75	25
42½°	25	-	75	25
45°	25	-	75	25
47½°	-	-	50	25



Condron Concrete Works

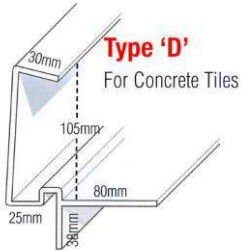
CONDRON CONCRETE WORKS IS A TRADENAME FOR CONDRON CONCRETE LTD.

ARDEN ROAD, TULLAMORE, CO. OFFALY, IRELAND.

Dry Verge System

Extruded in Black, White Brown and Cherry Oak uPVC

4 Types suitable for use with Slate and most Concrete Roof Tiles



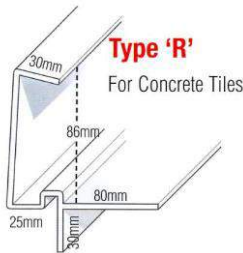
Type 'D'

For Concrete Tiles

Advantages:

Gives complete continuous cover against water penetration for joints between tiles and brickwork or bargeboards at gable ends.

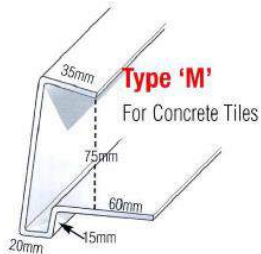
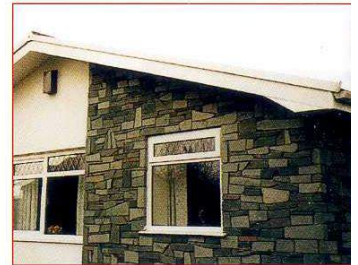
Gives greater security and added strength against wind damage by securing end tiles firmly.



Type 'R'

For Concrete Tiles

- Easily Fitted
- No undercloak required.
- No mortar joints required.
- No special tools or adhesives.
- Saves time and labour.
- Can be fitted in all weathers.

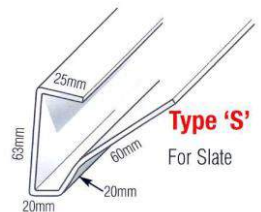


Type 'M'

For Concrete Tiles

- Available in 3 and 4 meter lengths ex stock.
- 5 and 6 meter lengths are available on special orders.
- Connector units are available for longer runs.
- Ridge End units complete the apex detail.

Gives a neater and attractive line and finish to gable ends. No maintenance required.



Type 'S'

For Slate

Gives added finish when used with uPVC bargeboards and soffits.



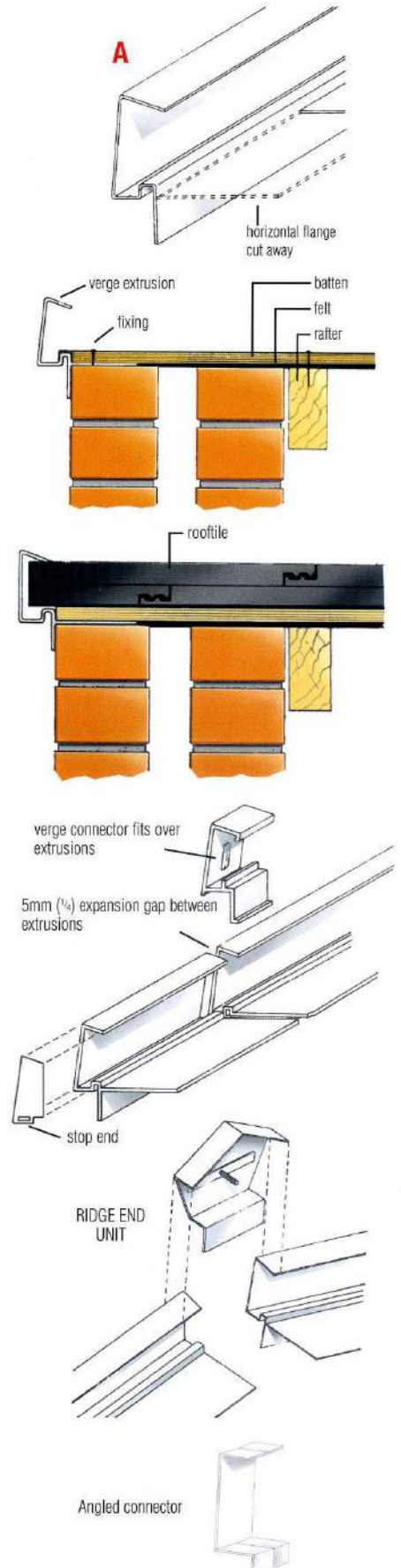
Dry Verge System –Fitting Instructions

Continuous dry verge system is designed to fit on the gable end of buildings between the underside of the battens and the outer wall of the roof ladder.

- Ensure the gable wall is reasonably level and free from projections. The roofing felt and battens should be laid across the cavity and the battens finished flush with the outer wall or the outer edge of the bargeboard. Take a length of verge extrusion and plumb cut the upper end. Cut the verge extrusion approximately 150mm longer than the rafter. Remember to allow 10mm between the left and right verge at the ridge for expansion and fitting the ridge cap.
- At the eaves end of the verge, cut a line the length of one tile between the horizontal flange and the fin (see A on diagram). This allows the verge extrusion to fit on the tiling fillet or felt support tray at the eaves end. The bottom flange of the verge extrusion is then pushed between the wall/roof ladder and the batten. Fix through both the batten and verge into the wall.

OR

- Alternatively the verge cut and angled appropriately 250mm from the eaves end or near the first batten at the eaves, leave a 5mm gap for expansion. Fit the smaller offcut of the verge with the flange under the batten, ensuring that the length extends approximately 50mm past the line of the fascia into the gutter. Use the angled connector which should be glued over the angled cuts for a neat finish.
- The tiles are then laid in the usual manner ensuring that the verge tiles are inserted fully into the verge extrusion where the top flange will hold them fully.
- At the eaves end the verge should be cut square, flush to the lower tile. The lower fin of the verge may require slight trimming to avoid it interfering with the gutter.
- A small notch may be required in the wall side of the gutter to accommodate the verge channel ensuring that the water drains effectively into the gutter.





Condron Concrete Works

CONDON CONCRETE WORKS IS A TRADENAME FOR CONDRON CONCRETE LTD.

ARDEN ROAD, TULLAMORE, CO. OFFALY, IRELAND.

Dry Verge System – Klóber Uni-Click



Product features & benefits

- Mortar free
- All weather fixing
- Secure mechanical fixing avoids wind uplift problems
- Quick and easy to fit – no special tools required
- Available in 4 colours to blend in with roof tiles
- Neat attractive appearance
- Weatherproof and maintenance free
- Unaffected by settlement or differential movement
- UV stable
- Prevents entry of birds and large insects

Area of application

Suitable for:

- Refurbishment or new build on roofs from 12.5° to 90°
- Most makes and profiles of concrete interlocking tiles between 260-350mm batten gauge

Material

Dry Verge unit - UPVC
 Eaves Closure - polypropylene
 Ridge Closure - polypropylene
 Ridge End Cap - polypropylene
 Batten End Clip - stainless steel

Colours

Brown, Slate grey, Terracotta, Black

Dimensions

403mm long x 148mm wide x 56mm deep



Designed to provide a mortar-free and secure method of fixing concrete interlocking verge tiles. Its neat interlocking design provides a consistent appearance that requires no maintenance.

The new Click-system



Installation

Extend the tiling battens 20mm beyond the gable wall or bargeboard and nail a Batten End Clip to the end of every batten. Fix the Eaves Closure to the end of the fascia board or brickwork. Slide the first Uni-Click® Dry Verge unit over the Eaves Closure and the bottom tile. Nail into the tiling batten through the Batten End Clip.

As each successive verge tile is laid, engage a Uni-Click® Dry Verge unit with the one below on the underside of the unit and then click it over the top of the unit below and then slide it up into position nailing through the Batten End Clip into the batten. Insert a Ridge Closure into the last unit, interlocking the combs of each Uni-Click® Dry Verge unit at the apex. Screw fix the Ridge End Cap to the ridge batten.

When installing onto an existing verge the old mortar between the tiles and the undercloak must be removed prior to the verge units being fitted. The tile battens must overhang the gable wall or bargeboard by 20mm and a Batten End Clip nailed to each batten.

If a Batten End Clip is not being used we recommend that the batten is extended 30mm over the barge board or brickwork and 40mm (minimum) x 3.25mm ring shank nails are used to fix the verge units. Prior to fixing the batten ends must be in good condition with no signs of decay.



Condron Concrete Works

CONDRON CONCRETE WORKS IS A TRADENAME FOR CONDRON CONCRETE LTD.

ARDEN ROAD, TULLAMORE, CO. OFFALY, IRELAND.

Dry Verge System – Klóber Uni-Click



Product codes

Dry Verge Unit left hand

Black	KR9765-0450
Brown	KR9765-0247
Slate Grey	KR9765-0429
Terracotta	KR9765-0152

Dry Verge Unit right hand

Black	KR9770-0450
Brown	KR9770-0247
Slate Grey	KR9770-0429
Terracotta	KR9770-0152

Eaves Ridge Closure

Black	KR973376
Brown	KR973336
Slate Grey	KR973330
Terracotta	KR973334

Half Round Ridge End Caps

Black	KR977276
Brown	KR977236
Slate Grey	KR977230
Terracotta	KR977234

Universal Angle Ridge End Caps

Black	KR977376
Brown	KR977336
Slate Grey	KR977330
Terracotta	KR977334

Packaging

Dry Verge Units

10 units per pack - 5 packs per carton

Eaves Ridge Pack

2 Ridge Closures, 2 Eaves Closures and nails - 20 packs per carton

Ridge End Pack

2 Ridge End Caps and 4 screws - 10 packs per carton

Batten End Clips

50 clips per pack - 10 packs

Weight (per carton)

14.3kg

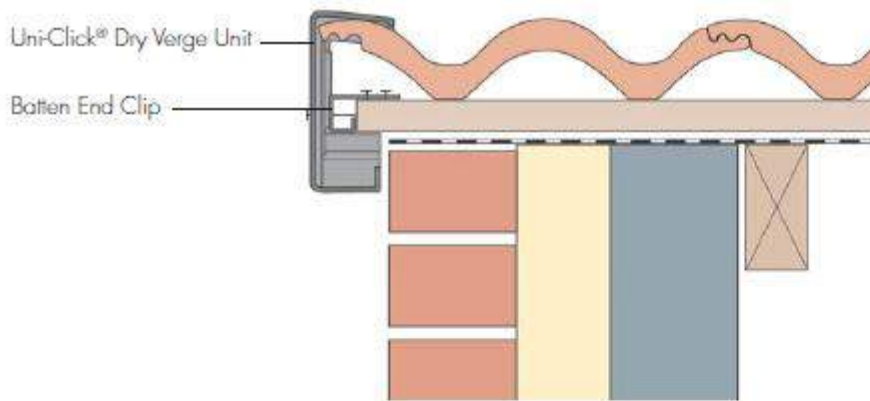
Regulations

Complies fully with all relevant British Standards

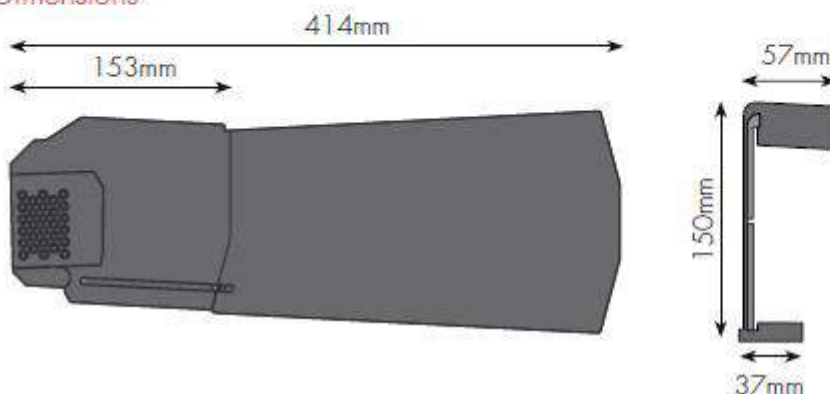
Related products

The Klóber Uni-Click® Dry Verge system may be used in conjunction with a wet or dry ridge system of your choice.

Typical verge detail

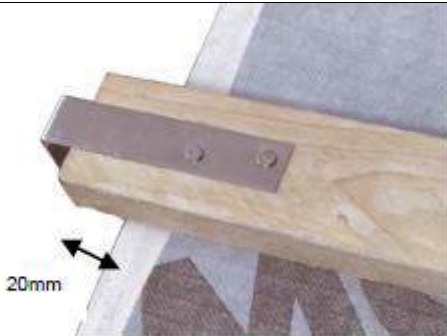


Dimensions





Dry Verge - Klóber Uni-Click Fitting Instructions



1a. Extend the tiling battens 20mm beyond the gable wall or barge board and nail a Batten End Clip to the end of every batten.



1b. If a batten end clip is not being used we recommend that the batten is extended 30mm over the barge board or brickwork and 40mm (minimum) x 3.25mm ring shank nails are used to fix the verge units. Prior to fixing the batten, ends must be in good condition with no signs of decay or splitting.



2. Fix the Eaves Closure to the end of the fascia board or brickwork.



3. Fit the first verge section ensuring that it is located onto the eaves closer.



4. Nail in position, through the Batten End Clip into the batten.



5a. Clip the bottom of the verge unit in place first, then lift the top of the verge unit over and clip in to place. As illustrated in stages 5,5a and 5b.



Condron Concrete Works

CONDRON CONCRETE WORKS IS A TRADENAME FOR CONDRON CONCRETE LTD.

ARDEN ROAD, TULLAMORE, CO. OFFALY, IRELAND.

Dry Verge - Klóber Uni-Click Fitting Instructions



5a.



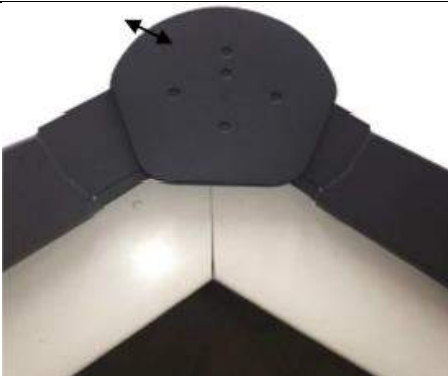
5b.



6. As each successive verge tile is laid, slide on a Uni-Click Dry Verge Unit up to the bottom of the tile, engaging with the Unit below, nail in position through the Batten End Clip into the batten.



7. Insert a Ridge Closure into the last unit, interlocking the combs of each Uni-Click Dry Verge Unit at the apex.



8. Screw fix the Ridge End Cap to the ridge batten.

Colours

Slate Grey, Brown, Terracotta, Black

Storage

Ensure Verge units are not subjected to pressure once they have been removed from the carton e.g. by placing a heavy object on top of the units. This may lead to the units becoming distorted, particularly when stored in a hot location e.g. inside of van.

RETRO FIT

If dry verge units are to be fitted to existing buildings all of the old undercloak and mortar bedding should be removed prior to fixing. A timber batten can then be installed running from the eave to ridge, this batten should protrude 30mm over the barge board or brick work/render for the units to fix into (as per step 1a).

TIMBER FRAME

If verge units are to be fitted to timber frame buildings prior to the outer weather covering being applied care should be taken for them to be positioned correctly so when the outer skin of the building is installed the verge units fit correctly and are not in the way of the top of the covering

Dry Verge - Klóber Uni-Click Fitting Instructions

and the gap between the verge unit and the outer skin is maintained. This product should not be installed prior to the outer covering being installed if the eaves closer cannot be fixed.

Pack contents:

Dry Verge Unit: (left hand or right hand) 10 units per pack; 5 packs per carton

Batten End clip: 50 clips per pack; 10 packs per carton

Ridge End Pack: 2 ridge end caps and 4 screws; 10 packs per carton

Eaves Ridge Pack: 2 ridge closures 2 eaves closures and nails; 20 packs per carton

Compatibility

The Klober Uni-Click Dry Verge suits most concrete and clay interlocking tiles between 265 & 350mm batten gauge. The Klober Uni-Click Dry Verge system may be used with the Klober dry ridge system or traditional mortar bedded ridge.

(Note: Batten gauge is measured top of tile batten to top of tile batten)



Dry Valley System

GRP Dry Valleys provide a robust, durable and lightweight alternative to lead and zinc valleys.

Product features & benefits

- Cost effective alternative to lead
- Lightweight, flexible, safe and easy to cut
- UV resistant
- BBA certified - certificate no 12/4928

Area of application Suitable for:

- For plain angles of 90° only
- 20° maximum pitch variance
- 17.5° minimum rafter pitch
- 60° maximum rafter pitch

Material

Grey UV stabilised Glass Reinforced Polyester

Dimensions

Slate & Tile Valley Trough 70mm & 110mm 3m long x 400mm wide x 1.1mm

Product Codes / Weight (per pack)

- Dry Slate Valley Trough 70mm KR966000 25kg
- Dry Tile Valley Trough 110mm KR966100 29kg

Packaging

Banded in packs of 10 pcs

Regulations

- BBA certified
- Fire tested to comply with BS476: Part 3 SAB and Part 7 Class 3

Performance

- Allow 150mm overlap for rafter pitches 40° – 60°.
- Allow 200mm overlap for rafter pitches 22.5° – 39.5°.
- Allow 250mm overlap for rafter pitches 17.5° – 22°.

Installation

Klober Dry valley troughs are suitable for roof pitches up to 60°. Klober strongly recommends that where possible, plywood or other suitable valley boards should be used. The underlay material



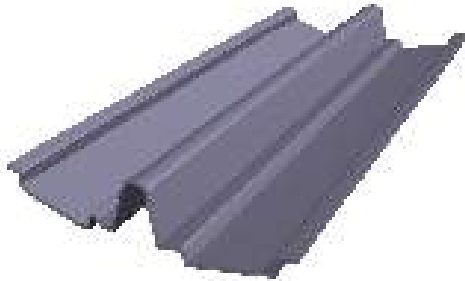
Dry Valley System

and battens should be fixed in accordance with standard roofing best practice with a batten running the length of the valley on each side to accommodate the external raised water bar section.

When starting at the bottom of the using the Klobber dry valley lay a 150mm long GRP pre-cut valley section support should be positioned close to the eaves. Then cut a piece of 300 mm Easy-Form® lead replacement approximately 600 mm long and this should be overlaid onto the GRP pre-cut valley section (ensuring 150mm overlap), ensuring that the Easy-Form® is stuck to the pre-cut valley and lapped over the longitudinal battens. The bottom of the easy form piece should overhang the eaves. The Klobber dry valley troughs are fitted onto the valley boards and should be firmly fixed from the Easy-Form® section upwards, using suitable large headed roofing nails on either side of the trough and through the top flat section of the water bar, at a minimum of 500mm centres. All overlaps of troughs and Easy-Form® piece should be at least 150mm. Care should be taken to ensure that the central raised section is not distorted in any way and that it is positioned central to the valley. If the valley trough finishes at a ridge section with a corresponding valley, close off the top piece mitre again Easy-Form® lead replacement flashing is to be used 300 mm x 600 mm. Overlapping the Klobber dry valley troughs equally both sides (150 mm) again adhering the Easy-Form® to the GRP dry valley to form a neat and tidy, waterproof seal (as shown in photos above). Tiles or slates being laid into and over the troughs should be laid in accordance with the manufacturer's recommendations. When cutting tiles or slates it is important that neither should be forced to fit. The central raised section of the Klobber Dry valley trough should not be distorted. Where possible the roof tiling should be planned to avoid small cut sections. However, in some instances small cuts will be required. Self-adhesive packers are supplied with the valley to support these small cuts if required. When the slating or tiling has being completed, the eaves closure section should be cut with a sharp knife or scissors to allow water discharge into the rain water gutter. It is important to ensure that the valley troughs are cleared of any debris on completion, so water flow is not impeded.



Dry Valley System –Fitting Instructions



1. Klobber dry valley troughs are suitable for roof pitches up to 60°. Klobber strongly recommends that where possible, plywood or other suitable valley boards should be used.
2. The underlay material and battens should be fixed in accordance with standard roofing best practice with a batten running the length of the valley on each side to accommodate the external raised water bar section.
3. When using the Klobber eaves closure, the 150mm long GRP pre-cut valley section support should be positioned close to the eaves. .
4. The eaves closure piece should be overlaid onto the GRP pre-cut valley section (ensuring 150mm overlap), ensuring that the side winged sections are located over the longitudinal battens. The bottom of the eaves closure piece should overhang the eaves. At the highest point of the eaves closure section a large headed galvanised or aluminium nail should be fixed through the section into the longitudinal batten. Note: A length of flexible packing is supplied with the eaves closure, to use if required to form the continuation of the side support timber battens (when the angle of the valley does not allow the battens to extend to the rear of the fascia board).
5. The Klobber dry valley troughs are fitted onto the valley boards and should be firmly fixed from the Easy form section upwards, using suitable large headed roofing nails on either side of the trough and through the top flat section of the water bar, at a minimum of 500mm centres. All overlaps of troughs and Easy Form piece should be at least 150mm. Care should be taken to ensure that the central raised section is not distorted in any way and that it is positioned central to the valley.





Condron Concrete Works

CONDRON CONCRETE WORKS IS A TRADENAME FOR CONDRON CONCRETE LTD.

ARDEN ROAD, TULLAMORE, CO. OFFALY, IRELAND.

6. If the valley trough finishes at a ridge section with a corresponding valley, close off the top piece mitre again Easyform lead replacement flashing is to be used 300 mm x 600 mm. Overlapping the Klover dry valley troughs equally both sides (150 mm) again adhering the Easyform to the GRP dry valley. to form a neat and tidy, waterproof seal. .
7. Tiles or slates being laid into and over the troughs should be laid in accordance with the manufacturer's recommendations. When cutting tiles or slates it is important that neither should be forced to fit. The central raised section of the Klover Dry valley trough should not be distorted.
8. Where possible the roof tiling should be planned to avoid small cut sections. However, in some instances small cuts will be required. Self-adhesive packers are supplied with the valley to support these small cuts if required.

STEP 1



STEP 2



STEP 3



STEP 4



9. When the slating or tiling has being completed, the eaves closure section should be cut with a sharp knife or scissors to allow water discharge into the rain water gutter.
10. It is important to ensure that the valley troughs are cleared of any debris on completion, so water flow is not impeded.





Condron Concrete Works

CONDON CONCRETE WORKS IS A TRADENAME FOR CONDRON CONCRETE LTD.

ARDEN ROAD, TULLAMORE, CO. OFFALY, IRELAND.



Product features & benefits

- Mortar free
- All weather fixing
- Secure mechanical fixing avoids wind uplift problems
- Quick and easy to fit – no special tools required
- Available in 4 colours to blend in with roof tiles
- Neat attractive appearance
- Weatherproof and maintenance free
- Unaffected by settlement or differential movement
- UV stable
- Prevents entry of birds and large insects

Area of application

Suitable for:

- Refurbishment or new build on roofs from 12.5° to 90°
- Most makes and profiles of concrete interlocking tiles between 260-350mm batten gauge

Material

Dry Verge unit - UPVC
Eaves Closure - polypropylene
Ridge Closure - polypropylene
Ridge End Cap - polypropylene
Batten End Clip - stainless steel

Colours

Brown, Slate grey, Terracotta, Black

Dimensions

403mm long x 148mm wide x 56mm deep



Designed to provide a mortar-free and secure method of fixing concrete interlocking verge tiles. Its neat interlocking design provides a consistent appearance that requires no maintenance.

The new Click-system



Installation

Extend the tiling battens 20mm beyond the gable wall or bargeboard and nail a Batten End Clip to the end of every batten. Fix the Eaves Closure to the end of the fascia board or brickwork. Slide the first Uni-Click® Dry Verge unit over the Eaves Closure and the bottom tile. Nail into the tiling batten through the Batten End Clip.

As each successive verge tile is laid, engage a Uni-Click® Dry Verge unit with the one below on the underside of the unit and then click it over the top of the unit below and then slide it up into position nailing through the Batten End Clip into the batten. Insert a Ridge Closure into the last unit, interlocking the combs of each Uni-Click® Dry Verge unit at the apex. Screw fix the Ridge End Cap to the ridge batten.

When installing onto an existing verge the old mortar between the tiles and the undercloak must be removed prior to the verge units being fitted. The tile battens must overhang the gable wall or bargeboard by 20mm and a Batten End Clip nailed to each batten.

If a Batten End Clip is not being used we recommend that the batten is extended 30mm over the barge board or brickwork and 40mm (minimum) x 3.25mm ring shank nails are used to fix the verge units. Prior to fixing the batten ends must be in good condition with no signs of decay.



Condron Concrete Works

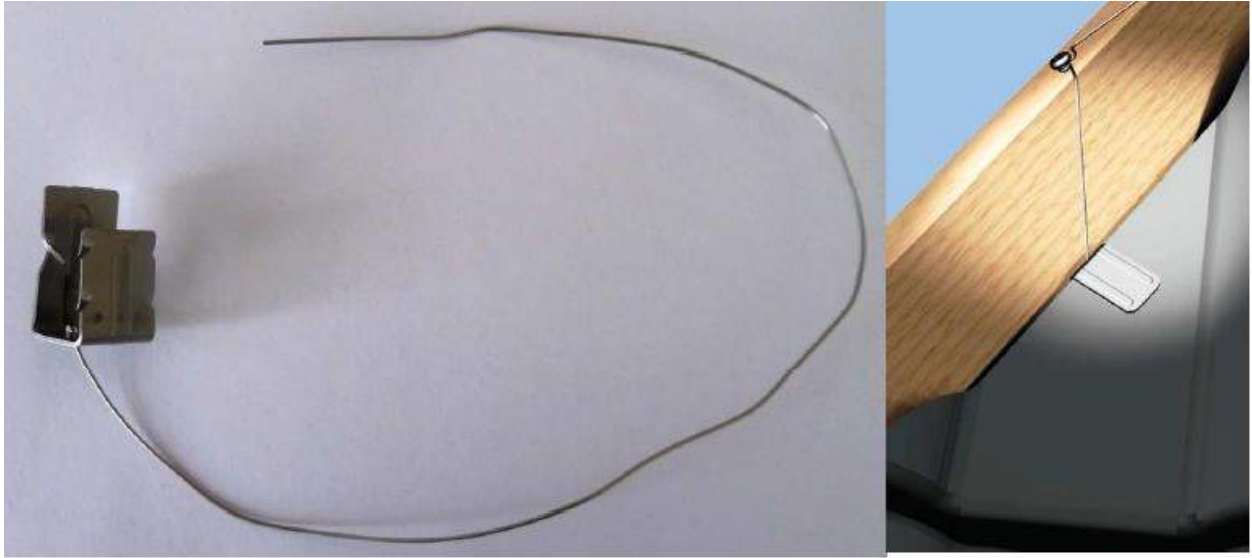
CONDRON CONCRETE WORKS IS A TRADENAME FOR CONDRON CONCRETE LTD.

ARDEN ROAD, TULLAMORE, CO. OFFALY, IRELAND.

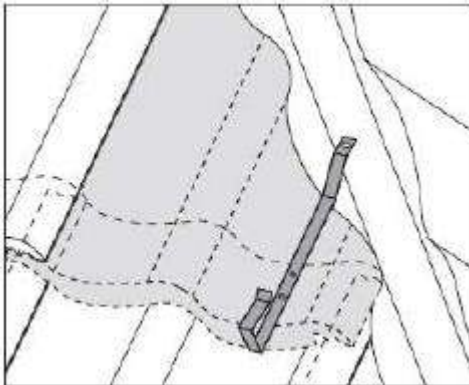
Hip Clip

Stainless Steel Cut Tile Retaining Clip with approx. 350mm wire tail.

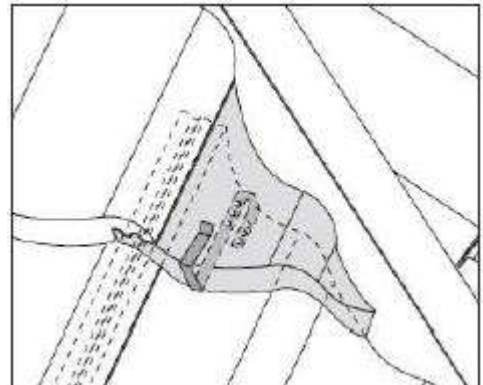
Clip hammers to the top edge of the tile and the wire secured around fixing into hip rafter or suitable other fixing point.



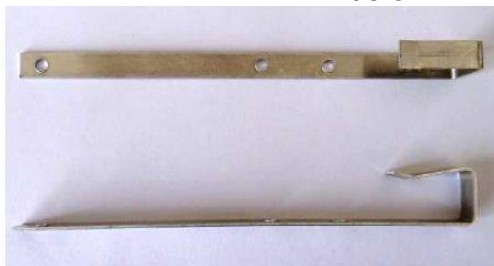
Aluminium Hip Clips for nailing to Timber or wrapping around the head of the tile as shown below.



Hip Clips can be secured either by nailing into a suitable timber



Or by wrapping over the head of the tile below.



Available for Standard Tiles and Thin Leading Edge Tiles



Site Practice

INTRODUCTION:

This section is a practical guide to general good practice on site, applicable to all pitched tile roofs. It is based on ICP2.2002 for slating and tiling, and any new Irish Code of Practices. The performance of the finished roof is dependent on the design, location, type of roof tile selected, type of felt used and quality of workmanship.

UNDERLAYS:

MATERIALS:

Underlays which are not fully supported, that is, draped over rafters, should be reinforced type felt IF to IS:36

LAPS:

Vertical Laps should be not less than 100mm and each end of the underlay should be securely fixed over the rafters. The fixing should be not less than 50mm from the edge of the underlay. The Horizontal lap should be as follows:

Rafter pitches from 17.5 degrees to 55 degrees should have a minimum lap of 150mm and for rafter pitches of 55 degrees and above a minimum lap of 100mm. The Horizontal Laps should, preferably, be under a batten, with at least 25mm of underlay projecting beyond each end of the batten. Where a lap occurs between battens, it should be held down by an extra batten to restrain the laps from opening under wind uplift.

DETAILS:

Eaves: The underlay should drain any water into the eaves gutter, and should extend over the tilting piece and fascia board and well into the gutter. Water traps behind the fascia board must be avoided, and a continuous fillet should be fitted to support the felt.

Hips: A strip, not less than 1m wide, should be laid over hips, overlapping the underlay of the main roof.

Valleys: One layer of underlay, 1m wide, should be lapped under the underlay of the main roof.

Verge: Underlay should be carried across the wall cavity.

NAIL HOLES:

Holes in underlay should be kept to a minimum. Where it is necessary to nail underlay, use galvanised clout (large head) nails.

Care should be taken to prevent damaging the felt and, any damage that does occur, should be properly repaired. It is recommended that at pitches below 25 degrees, and on exposed sites, high performance felt should be used.

SETTING OUT:

Careful setting out makes the actual tiling faster, and will contribute to the finished appearance of the roof. It helps to avoid problems such as unequal over-hangs at verges, and often makes it possible to avoid a lot of tile cutting at abutments, chimneys, and similar obstructions.

The area to be tiled should be set out carefully to ensure that:

- a) Minimum cutting of tiles is necessary.
- b) The horizontal lines of the course will be regular and true.
- c) The perpendicular lines of the tile edges will be to a true alignment.
- d) For regular sized tiles, fit battens to recommended gauge.
- e) Fix battens, not less than 1200mm long, to each rafter or support, in straight lines, to the calculated gauge, parallel with the ridge or top course, or at right angles to the line of drainage.
- f) Ensure all joints are square-cut and butted centrally on the supports. Splay nail each batten end.
- g) For trussed rafter roofs where the batten gauge is greater than 200mm, do not have more than one joint in any four consecutive battens on the same support.
- h) For trussed rafter roofs where the batten gauge is less than 200mm, do not have more than three joints together in any twelve consecutive battens on the same support.

NOTE:

It may be necessary to retain the alignment of rows of tiling from one roof slope onto projecting roof slopes. This is sometimes referred to as "course through". Where two roof slopes of varying pitch intersect, the required batten gauge should be set out to the lower pitch, so as to maintain the minimum required headlap. This has the effect of reducing the batten gauge and increasing the headlap on the steeper pitch roof.



Condron Concrete Works

CONDRON CONCRETE WORKS IS A TRADENAME FOR CONDRON CONCRETE LTD.

ARDEN ROAD, TULLAMORE, CO. OFFALY, IRELAND.

Site Practice

PERPENDICULARS:

Strike perpendicular chalk lines from eaves to ridge at three tile intervals. Lay tiles, with their edges along these lines, and all will be truly perpendicular.

POSITIONING BATTENS:

For single lap tiles the batten which is to carry the first of eaves course must be positioned so that the bottom edge of the tiles will be over the centre of the gutter. This normally requires an overhang of 50mm to 65mm for a 100mm gutter. Positioning of top and bottom battens must take into account the location of the nibs in relation to the top of the tile. For plain tiles and 3 in 1 tiles, the battens for the eaves undercourse, must be positioned so that the tails of the undercourse and the first tile course line up.

BATTEN GAUGES:

The distance from the top of the eave batten to the top of the top batten must be divided into equal amounts, which must not exceed the gauge recommended for the tile to be fixed.

EAVES FACIA:

The eaves course of tiles must follow the same plane as the rest of the roof. To achieve this, the fascia board must project above the top edge of the rafter by the depth of batten section plus the overall thickness of tile at the bottom edge (plus the thickness of the counter batten on a boarded roof).

BATTENING:

Sizing: Minimum batten sizes (in mm) are shown in Table 1. Table 1: Minimum Batten Sizes.

Description	Width	Depth
Single Lap tiles	44	35
Plain Tiles / 3 in 1 Tiles	44	35
Pitch Roof	44	35
Vertical Tiling	44	35

Rafter 450mm and 600mm Centres.

BATTEN FIXING:

Battens should be not less than 1200mm in length, and should be long enough to be supported at each end and intermediately, by at least three rafters, trusses or walls. Battens must not be cantilevered or spliced between supports. Batten ends should be cut square and nails skew driven on each side of joints. Not more than one batten in four should be joined over any one truss or rafter. Battens on boarded roofs must be supported on counter battens to increase ventilation under the tiles and to allow free drainage of any water that may reach the underlay. Counter battens must be fixed the rough to the rafters, and not to the boarding alone.

TILE FIXING:

(See Tile Fixing Specifications P. XXXXXXXXX).

MOTAR BEDDING:

All mortar used for bedding Roof Tiles and Accessories, must be 1:3 / sand:cement. Plasticisers may be added in accordance with manufacturers instructions. Bedding mortar should be squeezed down and struck off to give a clean face. Pointing should not be carried out subsequently or, with different materials. Pigments supplied by Condron Concrete Works may be added, as per manufacturer's instructions.

FLASHINGS AND SOAKERS:

Materials for flashings, soakers and saddles should preferably be lead, to BS1178, of the following minimum thicknesses. Flashings, soakers, saddles, BS code No. 5, 2.24mm thick. Gutters BS code No. 6, 2.5mm thick. Other materials complying with BS5534 Part 1 clause 15 may also be used. To avoid the risk of bimetallic corrosion, there should be no contact between different metals, and it is recommended to treat all exposed lead.

RIDGE:

Bedded Ridge: Ridge tiles must be edge bedded only. No ridge tile should be solid bedded except at butt joints or end of End Ridge. Where solid bedding is required, the mortar should be thinned out with pieces of broken tile to reduce the mass of bedding, and thus, the risk of cracking due to drying shrinkage. Mechanically fix end ridge where possible.



Condron Concrete Works

CONDRON CONCRETE WORKS IS A TRADENAME FOR CONDRON CONCRETE LTD.

ARDEN ROAD, TULLAMORE, CO. OFFALY, IRELAND.

Site Practice

EAVES

Single Lap Tiles: No mortar or undereaves course is to be used. The eaves course must be in the same plane as the other tiles. Sprocketed eaves are not recommended with single lap tiles.

Plain Tiles: Eaves are to have double courses laid broken bonded throughout, using purpose made Undereave/Top Tile for the undercourse. Tails, or undercourse and first course, should line up.

3 in 1 Tiles: Eaves are to have double courses laid broken bonded throughout, using purpose made Undereave/Top Tile for the undercourse. Tails, or undercourse and first of course, should line up.

VERGES:

Single Lap Tiles: All single lap tiles have their side lock on the left, and work, therefore, must start at the right hand verge and finish at the left.

Undercloaked Verge: Nail the undercloak to the end rafter, or bed it on to the brick wall ensuring the underlay is under the undercloak. Bed tiles in mortar to form a sloping face, this will assist drainage and give a thinner appearance to the mortar. This is suitable for a 38 to 50mm over-hang. The undercloak course must not tilt inwards.

PLAIN TILES:

Plain tiles are laid broken bonded using Tiles and Tile-and-a-Half in alternate courses at both verges.

No cut tiles should be used at verges. If cutting is necessary, this should be carried out equally on two or three tiles, located some three or four tiles in from the verge.

3 IN 1 TILES:

3 in 1 Tiles are laid broken bonded, using Tiles and Tile and-a-Half in alternate courses at both verges. No cut tiles should be used at verges.

ABUTMENTS:

Tile or cement fillets should not be used. Use Tiles and Half Tiles etc., as for verges, to minimise cutting and maintain broken bond where appropriate.

VALLEYS & HIPS:

Tile Cutting: For making cuts at valleys and hips, mechanical cutting is preferable to hand cutting since it gives a better appearance, and avoids small body cracks. Fixing: All cut tiles must be carefully bedded in mortar. If the nail holes are cut away, the side of the piece must be notched, and supported with a nail.

When forming a valley with interlocking tiles, great care must be taken not to leave any mortar in the sidelocks of the cut tiles; otherwise water will build up in the channels and spill back into the roof. For lead valleys, lengths of lead sheet should not exceed 1.5m with laps of 150mm. Provision should be made for a slip layer between the mortar bedding and the lead sheet. Hip Tiles should be edge bedded in mortar, with solid bedding at butt joints.

VERTICAL TILING:

Vertical tiling may be fixed to battens, or to battens on counter battens. Counter battening reduces the amount of fixing direct to a solid wall. When tiling to a timber framed construction, a suitable breather membrane or vapour barrier must be provided as appropriate.

Spacing of counter battens should not exceed those given in BS5534: Part 1 Table 3. The top edge should incorporate an Eaves/Top Tile: when under a windowsill, or soffit, a lead flashing should be dressed down over the top course. The bottom edge should have double coursing throughout, using Eaves/Top Tiles for the undercourse. For abutments etc. use Tiles and Tile-and-a-Half tiles in alternate courses to maintain broken bond.

NOTE:

Reference should be made to ICP2.2002 for Slating and Tiling and any new Irish Code of Practices in the future. Condron Concrete Roof Tiles comply with I.S.3: 1972 "Concrete Roofing Tiles" & EN49



Site Practice

SAFETY:

Attention is drawn to Regulations 76 and 77 of the Safety, Health and Welfare at Work (Construction) Regulations 1995. These notes are a brief summary of safety precautions based on The 1995 Regulations made under the Safety, Health and Welfare at Work Act 1989. It is the responsibility of employers, employees, and the self-employed, to ensure that legal requirements are complied with. Particular attention is drawn to the Safety, Health and Welfare at Work (Construction) Regulations 1995 and other legislation setting out the duties of owners, employers and employees in relation to the construction and maintenance of buildings. Any form of completed roof or vertical work must be treated as fragile. An adequate number of crawling boards, ladders, hooks etc... should be used, properly supported, securely fixed and anchored, in such a manner as to prevent slipping or tipping. In some cases, it will be necessary to provide parallel sets of crawling boards, with a bridge between, to form a working platform. In addition, where a person is liable to fall more than 2.00m from the lower edge of a sloping roof, a barrier must be provided at that edge to prevent such a fall. Alternatively, the work must be done from a securely supported working platform, fitted with guard rails and toe boards. The regulations also require precautions to be taken when access ladders are used. The requirements to secure ladders should be particularly noted.

Ladders should not be rested against verges because of the uneven support and the risk of damage. Similarly, to avoid damage to eaves gutters, ladders should not be rested against gutters, but blocked out to clear the gutter, and then secured. Great care should be used when fixing eaves gutters immediately below valleys, particularly where valley troughs are used, as these are vulnerable to breakage. Packing (e.g.: sacking, rubber sheet) should be used under crawling boards, ladders, hooks, etc... to protect the tiles from possible breakage. Materials and tools should be carried, not dragged over the roof. Materials stacked on the roof, should not over load the battens, boarding or roof structure, and should be evenly distributed to avoid permanent distortion of the roof.

NOTE:

Above notes are given for general information guidance only, and are not to be taken as comprehensive. All Condron Concrete Works Drivers have Hard Hats, Steel - Toe Boots, Safety Jackets and Safety Passes

NOTE

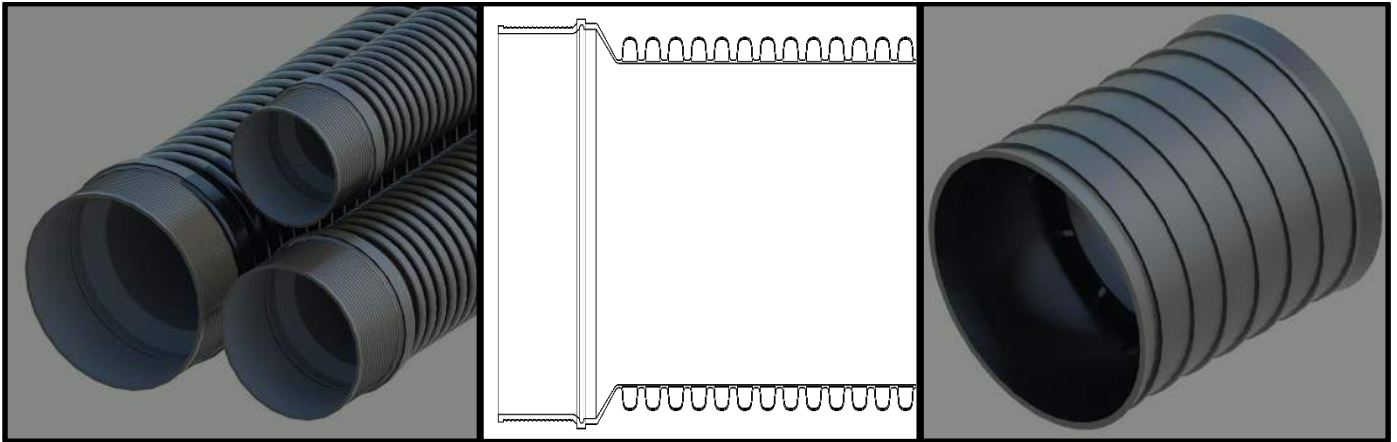
The information given in this manual, is, to the best of our knowledge correct, but customers, including Designers and Specifiers, must satisfy themselves, that any particular product is suitable for their specific requirements. Condron Concrete Works, or their employees, or agents, do not accept any liability whatsoever arising from anything contained in this Manual.



Condron Concrete Works

CONDRON CONCRETE WORKS IS A TRADENAME FOR CONDRON CONCRETE LTD.

ARDEN ROAD, TULLAMORE, CO. OFFALY, IRELAND.



Plastic & Concrete Pipes for Water Drainage Systems and Underground Ducting Systems



Condron Concrete Works, Arden Road, Tullamore,
Co. Offaly. Telephone: +353 (057) 9349000-9

Fax: +353 (057) 9341565

Email: condronconcrete@eircom.net or
Web: www.condronconcrete.com

